

TEGIO

STEFFEN



Carcase/Front	Interior colour	Colour code		
		Applic. Sanremo oak light colour	Applic. Sanremo oak dark colour	Applic. walnut colour
White matt/Colour glass crystal white (or mirror)	Structure grey	Z3210	Z3211	Z3212
Fango matt/Colour glass fango (or mirror)	Structure grey	Z3213	Z3214	Z3215
Black matt/Colour glass black (or mirror)	Structure grey	Z3216	Z3217	Z3218



White matt/
colour glass crystal white



Fango matt/
colour glass fango



Black matt/
colour glass black



Sanremo oak
light colour



Sanremo oak
dark colour



Walnut colour

TEGIO



Carcase/Front	Colour code			PG	Interior colour	Extras
	Sanremo oak light colour applic.	Sanremo oak dark colour applic.	Walnut colour applic.			
White matt/Colour glass crystal white (or mirror)	Z3210	Z3211	Z3212	1	Structure grey	See separate list Z3011
Fango matt/Colour glass fango (or mirror)	Z3213	Z3214	Z3215	1	Structure grey	Z3011
Black matt/Colour glass black (or mirror)	Z3216	Z3217	Z3218	1	Structure grey	Z3011



* Colour finish

WARDROBES		Front with colour glass (high polish) in carcase colour, handle strips in carcase colour, vertical profiles in application colour (wood decor)			
Gliding door robes with colour glass and application in wood decor Please see the BASIC additional articles list for wardrobe interior fittings.					
	Gliding door robe	Gliding door robe	Gliding door robe	Gliding door robe	
	2-door with colour glass ↔ 200 cm ↓ 223 cm ↗ 68 cm	2-door with colour glass ↔ 239 cm ↓ 223 cm ↗ 68 cm	2-door with colour glass ↔ 280 cm ↓ 223 cm ↗ 68 cm	2-door with colour glass ↔ 319 cm ↓ 223 cm ↗ 68 cm	
Article	PG	Price £	SW20	1	
			SW22	1	
			SW24	1	
			SW26	1	

WARDROBES		Front with crystal mirror, handle strips in carcase colour, vertical profiles in application colour (wood decor)			
Gliding door robes with mirrors and application in wood decor Please see the BASIC additional articles list for wardrobe interior fittings.					
	Gliding door robe	Gliding door robe	Gliding door robe	Gliding door robe	
	2-door with mirrors ↔ 200 cm ↓ 223 cm ↗ 68 cm	2-door with mirrors ↔ 239 cm ↓ 223 cm ↗ 68 cm	2-door with mirrors ↔ 280 cm ↓ 223 cm ↗ 68 cm	2-door with mirrors ↔ 319 cm ↓ 223 cm ↗ 68 cm	
Article	PG	Price £	SW00	1	
			SW02	1	
			SW05	1	
			SW06	1	

PASSEPARTOUT		in carcase colour			
For gliding door robes					
	Passepartout frame	Passepartout frame	Passepartout frame	Passepartout frame	
	for wardrobe W 200 cm ↔ 212 cm ↓ 227 cm ↗ 71 cm	for wardrobe W 239 cm ↔ 250 cm ↓ 227 cm ↗ 71 cm	for wardrobe W 280 cm ↔ 292 cm ↓ 227 cm ↗ 71 cm	for wardrobe W 319 cm ↔ 330 cm ↓ 227 cm ↗ 71 cm	
Article	PG	Price £	2407	1	
			2409	1	
			2411	1	
			2413	1	

Carcase/Front	Colour code			PG	Interior colour	Extras
	Sanremo oak light colour applic.	Sanremo oak dark colour applic.	Walnut colour applic.			
White matt/Colour glass crystal white (or mirror)	Z3210	Z3211	Z3212	1	Structure grey	Z3011
Fango matt/Colour glass fango (or mirror)	Z3213	Z3214	Z3215	1	Structure grey	Z3011
Black matt/Colour glass black (or mirror)	Z3216	Z3217	Z3218	1	Structure grey	Z3011



* Colour finish

PASSEPARTOUT		in application colour			
For gliding door robes					
	Passepartout frame	Passepartout frame	Passepartout frame	Passepartout frame	
	for wardrobe W 200 cm	for wardrobe W 239 cm	for wardrobe W 280 cm	for wardrobe W 319 cm	
	↔ 212 cm ↓ 227 cm ↗ 71 cm	↔ 250 cm ↓ 227 cm ↗ 71 cm	↔ 292 cm ↓ 227 cm ↗ 71 cm	↔ 330 cm ↓ 227 cm ↗ 71 cm	
Article	PG	Price £	2507	1	
			2509	1	
			2511	1	
			2513	1	

EXTRAS					
Please order using colour code Z3011.					<p>This luminaire contains built-in LED lamps of the energy classes A++ - A*. The lamps cannot be replaced in the luminaire.</p> <p>*) on a scale from A++ (highest efficiency) to E (lowest efficiency)</p>
	Door dampers for gliding door robes	1 "LINEA 50" lamp	1 "LINEA 100" lamp		
	Set of 2	Aluminium-coloured, incl. transformer and foot switch	Aluminium-coloured, incl. transformer and foot switch		
		↔ 50 cm ↓ 7 cm	↔ 100 cm ↓ 7 cm		
Article	PG	Price £	2002	1	
			1264	1	
			1265	1	

EXTRAS					
Please order using colour code Z3011.					
	1 "LINEA 50" lamp	1 "LINEA 100" lamp	1 "LINEA 50" lamp	1 "LINEA 100" lamp	
	Chrome-coloured, incl. transformer and foot switch	Chrome-coloured, incl. transformer and foot switch	Black, incl. transformer and foot switch	Black, incl. transformer and foot switch	
	↔ 50 cm ↓ 7 cm	↔ 100 cm ↓ 7 cm	↔ 50 cm ↓ 7 cm	↔ 100 cm ↓ 7 cm	
Article	PG	Price £	1266	1	
			1267	1	
			1262	1	
			1263	1	

Carcase/Front	Colour code			PG	Interior colour	Extras
	Sanremo oak light colour applic.	Sanremo oak dark colour applic.	Walnut colour applic.			
White matt/Colour glass crystal white (or mirror)	Z3210	Z3211	Z3212	1	Structure grey	See separate list Z3011
Fango matt/Colour glass fango (or mirror)	Z3213	Z3214	Z3215	1	Structure grey	Z3011
Black matt/Colour glass black (or mirror)	Z3216	Z3217	Z3218	1	Structure grey	Z3011



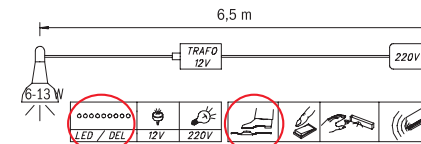
* Colour finish

BEDSIDE TABLES Top drawer always in application colour. Shaded area = Front variation colour	Width in cm	50	60	50	60	50	60	60	
	Depth 41 cm								
	Drawing								
	Name	Bedside table	Bedside table	Bedside table	Bedside table	Bedside table	Bedside table	Cupboard	
	Number of doors/drawers	2 DW	2 DW	3 DW	3 DW	3 DW	3 DW	4 DW	
Dimensions	↔ 49 cm ↓ 44 cm ↗ 41 cm	↔ 61 cm ↓ 44 cm ↗ 41 cm	↔ 49 cm ↓ 55 cm ↗ 41 cm	↔ 61 cm ↓ 55 cm ↗ 41 cm	↔ 49 cm ↓ 64 cm ↗ 41 cm	↔ 61 cm ↓ 64 cm ↗ 41 cm	↔ 61 cm ↓ 84 cm ↗ 41 cm		
▼ Price group	▼ Art. no.	▼ Price £	
Crystal mirror front	PG 1	N200	N201	N202	N203	N204	N205	B250	
Colour glass front	PG 1	N206	N207	N208	N209	N210	N211	B260	

CUPBOARDS Top drawer always in application colour. Shaded area = Front variation colour	Width in cm	120	120	120	120	180	180	180	
	Depth 41 cm								
	Drawing								
	Name	Cupboard	Cupboard	Cupboard	Cupboard	Cupboard	Cupboard	Cupboard	
	Number of doors/drawers	4 DW	1 door/4 DW	1 door/4 DW	2 doors/2 DW	2 doors/4 DW	2 doors/6 DW	3 doors/3 DW	
Dimensions	↔ 121 cm ↓ 84 cm ↗ 41 cm	↔ 121 cm ↓ 84 cm ↗ 41 cm	↔ 121 cm ↓ 84 cm ↗ 41 cm	↔ 121 cm ↓ 84 cm ↗ 41 cm	↔ 182 cm ↓ 84 cm ↗ 41 cm	↔ 182 cm ↓ 84 cm ↗ 41 cm	↔ 182 cm ↓ 84 cm ↗ 41 cm		
▼ Price group	▼ Art. no.	▼ Price £	
Crystal mirror front	PG 1	B254	B251	B252	B253	B257	B255	B256	
Colour glass front	PG 1	B264	B261	B262	B263	B267	B265	B266	

Information about the matching pieces :

- Handles are finished in carcass colour and feet in aluminium colour.
- All drawers on bedside tables and cupboards extend to the full and have a cushioned self-closing mechanism.
- The LED lighting can be ordered separately for all cupboards and bedside tables using the "additional art. no." (at the bottom of the page) for the appropriate width and for all colour codes..



This luminaire contains built-in LED lamps of the energy classes A++ - A*. The lamps cannot be replaced in the luminaire.

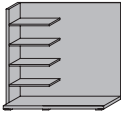
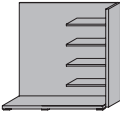

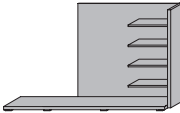
*) on a scale from A++ (highest efficiency) to E (lowest efficiency)

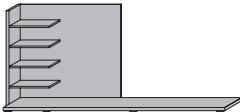
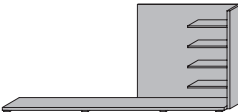
SURCHARGE LED LIGHTING	Width in cm	50	60	120	180	NOTE: The LED lighting raises the height of the selected elements by approx. 1 cm and can be ordered for all colour codes.
	Name	LED lighting for 50 cm elements	LED lighting for 60 cm elements	LED lighting for 120 cm elements	LED lighting for 180 cm elements	
Additional art. no. Surcharge		0100	0101	0102	0103	

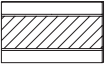
Carcase/Front	Colour code			PG	Interior colour	Extras
	Sanremo oak light colour applic.	Sanremo oak dark colour applic.	Walnut colour applic.			
White matt/Colour glass crystal white (or mirror)	Z3210	Z3211	Z3212	1	Structure grey	Z3011
Fango matt/Colour glass fango (or mirror)	Z3213	Z3214	Z3215	1	Structure grey	Z3011
Black matt/Colour glass black (or mirror)	Z3216	Z3217	Z3218	1	Structure grey	Z3011



* Colour finish

CUPBOARD/SHELF UNITS		Shelf units in application colour			
Cupboard extras. Cupboards can be integrated into the shelf units.					
	Cupboard/shelf unit, left	Cupboard/shelf unit, right	Cupboard/shelf unit, left	Cupboard/shelf unit, right	
	4 shelves, for 60 cm cupboards	4 shelves, for 60 cm cupboards	4 shelves, for 120 cm cupboards	4 shelves, for 120 cm cupboards	
	↔ 104 cm ↓ 98 cm ↗ 43 cm	↔ 104 cm ↓ 98 cm ↗ 43 cm	↔ 164 cm ↓ 98 cm ↗ 43 cm	↔ 164 cm ↓ 98 cm ↗ 43 cm	
Article	PG	Price	0657	1	
			0658	1	
			0659	1	
			0660	1	

CUPBOARD/SHELF UNITS		Shelf units in application colour			
Cupboard extras. Cupboards can be integrated into the shelf units.					
	Cupboard/shelf unit, left	Cupboard/shelf unit, right			
	4 shelves, for 180 cm cupboards	4 shelves, for 180 cm cupboards			
	↔ 224 cm ↓ 98 cm ↗ 43 cm	↔ 224 cm ↓ 98 cm ↗ 43 cm			
Article	PG	Price	0661	1	
			0662	1	

MIRROR		in carcase colour			
					
	Wall mirror				
	Horizontal or vertical				
	↔ 120 cm ↓ 55 cm ↗ 2 cm				
Article	PG	Price	0838	1	

Carcase/Front	Colour code			PG	Interior colour	Extras
	Sanremo oak light colour applic.	Sanremo oak dark colour applic.	Walnut colour applic.			
White matt/Colour glass crystal white (or mirror)	Z3210	Z3211	Z3212	1	Structure grey	See separate list
Fango matt/Colour glass fango (or mirror)	Z3213	Z3214	Z3215	1	Structure grey	Z3011
Black matt/Colour glass black (or mirror)	Z3216	Z3217	Z3218	1	Structure grey	Z3011



* Colour finish

MADE-TO-MEASURE		APN no.	Price
Gliding door robe with optional door damper and automatic closing mechanism	Shortening of depth SW00; SW02; SW20; SW22	302	
	Shortening of depth SW05; SW06; SW24; SW26	304	
	Shortening of height SW00; SW02; SW20; SW22 – also possible with mirror or glass front	680	
	Shortening of height SW05; SW06; SW24; SW26 – also possible with mirror or glass front	684	
	Angled to the rear SW00; SW02; SW20; SW22	172	
	Angled to the rear SW05; SW06; SW24; SW26	174	
	Back angle (notching the fireplace)	160	
Passepartout	Shortening of height, passepartout	130	
Bedside table	Widths of bedside cupboards with lighting cannot be shortened!		
	Shorten the width, 2-drawer front	242	
	Shorten the width, 3-drawer front	241	
	Replace drawers in application colour, colour finish, glass or mirror, each	243	
	Handle can be changed (full colour fronts only), price on request		
Cupboards and cupboard shelves	Widths of cupboards with lighting cannot be shortened!		
	Shorten the width of cupboard shelves	248	
	Shorten the width of cupboards B250, B260, B254 and B264	246	
	Shorten the width of cupboards B251, B261, B252 and B262 in drawer area	246	
	Shorten the width of cupboards B251, B261, B252 and B262 in door area	248	
	Shorten the width of cupboards B253 and B263	258	
	Shorten the width of cupboards B257 and B267	248	
	Shorten the width of cupboards B255, B265, B256 and B266	258	
	Optional 3 drawers for each door	245	
	Optional 4 drawers for each door	249	
	1 door in place of a set of drawers	247	
	Replace drawers in application colour, colour finish, glass or mirror, each	243	
	Shorten the height of all cupboards (cupboards with drawers: by whole drawers only)	250	
	Handles can only be changed on chests of drawers, price on request		
Miscellaneous	Fascia material, colour finished on both sides, 16 mm thick, max. 235.2 x 58.6 cm per sqm	260	

Further made-to-measure wardrobes are available on request!

Technical department telephone number:

Martin Becker +49 (0) 6545 81-823



TEGIO
STEFFEN