

MANILA

STEFFEN



Front/Carcase	Interior colour	Colour code	
		Fango matt application	Black matt application
Sanremo oak dark colour	Structure grey	Z3190	Z3191
Sanremo oak light colour	Structure grey	Z3192	Z3193
Walnut colour	Structure grey	Z3194	Z3195



MANILA



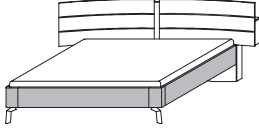
MANILA

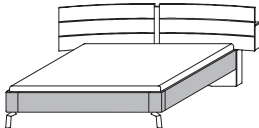
STEFFEN



Carcase/Front	Colour code		PG	Interior colour	Extras
	Fango matt application	Black matt application			
Sanremo oak dark colour	Z3190	Z3191	1	Structure grey	Z3011
Sanremo oak light colour	Z3192	Z3193	1	Structure grey	Z3011
Walnut colour	Z3194	Z3195	1	Structure grey	Z3011



BEDS		Rounded headboard in carcass colour, bed frame in application colour; sides 43 cm high								
Without lighting	 <p>W 160 cm W 180 cm</p>	<p>Total width of bed combination incl. 2 bedside cupboards (bedside cupboards must be ordered separately!): Mattress size W 160 cm = total width 289 cm Mattress size W 180 cm = total width 309 cm</p>	<p>Slats need to be ordered separately!</p>	Futon bed		Futon bed, extended bed length				
				160x200 ↔ 235 cm ↓ 93 cm ↗ 225 cm BG 32		160x210 ↔ 235 cm ↓ 93 cm ↗ 235 cm BG 33		180x200 ↔ 235 cm ↓ 93 cm ↗ 225 cm BG 37		
						160x220 ↔ 235 cm ↓ 93 cm ↗ 245 cm BG 34				
								180x210 ↔ 235 cm ↓ 93 cm ↗ 235 cm BG 38		
						180x220 ↔ 235 cm ↓ 93 cm ↗ 245 cm BG 39				
Article	PG	Price £	5132	1	5132	1	5132	1	5132	1

BEDS		Rounded headboard in carcass colour, bed frame in application colour; sides 43 cm high								
Without lighting	 <p>W 200 cm</p>	<p>Total width of bed combination incl. 2 bedside cupboards (bedside cupboards must be ordered separately!): Mattress size W 200 cm = total width 329 cm</p>	<p>Slats need to be ordered separately!</p>	Futon bed		Futon bed, extended bed length				
				200x200 ↔ 235 cm ↓ 93 cm ↗ 225 cm BG 42		200x210 ↔ 235 cm ↓ 93 cm ↗ 235 cm BG 43				
						200x220 ↔ 235 cm ↓ 93 cm ↗ 245 cm BG 44				
Article	PG	Price £	5132	1	5132	1				

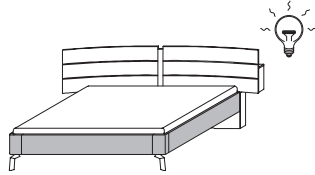


Carcase/Front	Colour code		PG	Interior colour	Extras
	Fango matt application	Black matt application			
Sanremo oak dark colour	Z3190	Z3191	1	Structure grey	Z3011
Sanremo oak light colour	Z3192	Z3193	1	Structure grey	Z3011
Walnut colour	Z3194	Z3195	1	Structure grey	Z3011

BEDS Rounded headboard in carcase colour, bed frame in application colour; sides 43 cm high

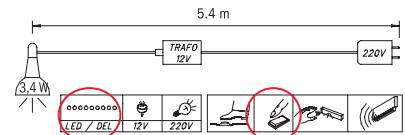
With lighting

W 160 cm
W 180 cm



Total width of bed combination incl. 2 bedside cupboards (bedside cupboards must be ordered separately):
 Mattress size W 160 cm = total width 289 cm
 Mattress size W 180 cm = total width 309 cm

Slats need to be ordered separately!



This luminaire contains built-in LED lamps of the energy classes A++ - A*. The lamps cannot be replaced in the luminaire.

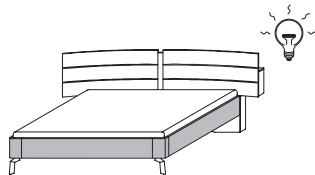
Futon bed	Futon bed, extended bed length	Futon bed	Futon bed, extended bed length
160x200 ↔ 235 cm ↓ 93 cm ↗ 225 cm BG 32	160x210 ↔ 235 cm ↓ 93 cm ↗ 235 cm BG 33	180x200 ↔ 235 cm ↓ 93 cm ↗ 225 cm BG 37	180x210 ↔ 235 cm ↓ 93 cm ↗ 235 cm BG 38
	160x220 ↔ 235 cm ↓ 93 cm ↗ 245 cm BG 34		180x220 ↔ 235 cm ↓ 93 cm ↗ 245 cm BG 39

Article	PG	Price £	5133	1
			5133	1
			5133	1
			5133	1
			5133	1

BEDS Rounded headboard in carcase colour, bed frame in application colour; sides 43 cm high

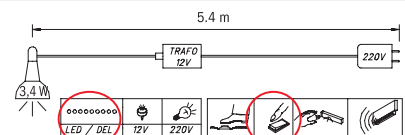
With lighting

W 200 cm



Total width of bed combination incl. 2 bedside cupboards (bedside cupboards must be ordered separately!):
 Mattress size W 200 cm = total width 329 cm

Slats need to be ordered separately!



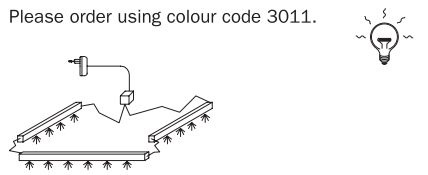
This luminaire contains built-in LED lamps of the energy classes A++ - A*. The lamps cannot be replaced in the luminaire.

Futon bed	Futon bed, extended bed length
200x200 ↔ 235 cm ↓ 93 cm ↗ 225 cm BG 42	200x210 ↔ 235 cm ↓ 93 cm ↗ 235 cm BG 43
	200x220 ↔ 235 cm ↓ 93 cm ↗ 245 cm BG 44

Article	PG	Price £	5133	1
			5133	1

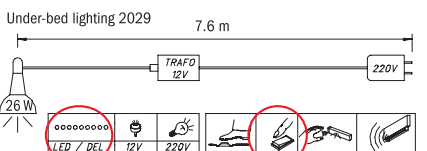
LIGHTING

Please order using colour code 3011.



Under-bed lighting, LED
 Set of 3, incl. transformer (for beds in W. 180/200 cm)
 ↔ 3 cm ↓ 3 cm ↗ 160 cm

Under-bed lighting 2029 7.6 m

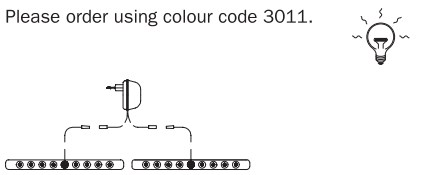


This luminaire contains built-in LED lamps of the energy classes A++ - A*. The lamps cannot be replaced in the luminaire.

*) on a scale from A++ (highest efficiency) to E (lowest efficiency)

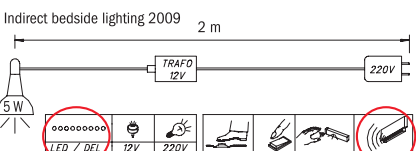
Article PG Price £ **2029** **1**

Please order using colour code 3011.



Indirect bedside lighting, LED
 Set of 2, incl. transformer, with motion sensor
 ↔ 2 cm ↓ 3 cm ↗ 28 cm

Indirect bedside lighting 2009 2 m



This luminaire contains built-in LED lamps of the energy classes A++ - A*. The lamps cannot be replaced in the luminaire.

*) on a scale from A++ (highest efficiency) to E (lowest efficiency)

Article PG Price £ **2009** **1**



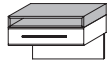

MANILA



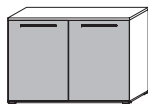

STEFFEN







Carcase/Front	Colour code		PG	Interior colour	Extras
	Fango matt application	Black matt application			
Sanremo oak dark colour	Z3190	Z3191	1	Structure grey	Z3011
Sanremo oak light colour	Z3192	Z3193	1	Structure grey	Z3011
Walnut colour	Z3194	Z3195	1	Structure grey	Z3011




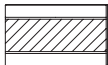
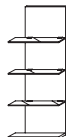
BEDSIDE CUPBOARDS					
					
Bedside cupboard	Bedside cupboard	Wall-mounted bedside cupboard	Bedside cupboard (for upholstered beds)		
Upright, 2 DW	Upright, 2 DW, top DW in application colour	Hanging, 1 DW, recess in application colour	Upright, 3 DW		
↔ 61 cm ↓ 44 cm ↗ 41 cm	↔ 61 cm ↓ 44 cm ↗ 41 cm	↔ 61 cm ↓ 44 cm ↗ 41 cm	↔ 61 cm ↓ 65 cm ↗ 41 cm		
Article PG Price £ N155 1	N125 1	N194 1	N166 1		


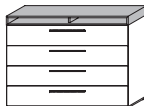
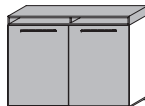

MATCHING PIECES					
Drawers in carcass colour, doors in application colour					
Without recess					
	Chest of drawers, narrow	Chest of drawers, wide	Cupboard	Cupboard/drawer unit, right	
	4 DW	4 DW	2 doors	4 DW, 1 door right	
	↔ 61 cm ↓ 85 cm ↗ 41 cm	↔ 121 cm ↓ 85 cm ↗ 41 cm	↔ 121 cm ↓ 85 cm ↗ 41 cm	↔ 121 cm ↓ 85 cm ↗ 41 cm	
Article PG Price £ B028 1	B031 1	B025 1	B035 1		

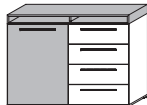
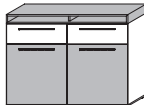

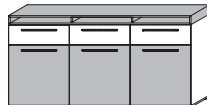
MATCHING PIECES					
Drawers in carcass colour, doors in application colour					
Without recess					
	Cupboard/drawer unit, left	Vertiko	Cupboard	Cupboard	
	4 DW/1 door left	2 DW/2 doors	4 DW/2 doors	3 DW/3 doors	
	↔ 121 cm ↓ 85 cm ↗ 41 cm	↔ 121 cm ↓ 85 cm ↗ 41 cm	↔ 181 cm ↓ 85 cm ↗ 41 cm	↔ 182 cm ↓ 84 cm ↗ 41 cm	
Article PG Price £ B036 1	B034 1	B033 1	B043 1		

Carcase/Front	Colour code		PG	Interior colour	Extras
	Fango matt application	Black matt application			
Sanremo oak dark colour	Z3190	Z3191	1	Structure grey	See separate list
Sanremo oak light colour	Z3192	Z3193	1	Structure grey	Z3011
Walnut colour	Z3194	Z3195	1	Structure grey	Z3011



MATCHING PIECES		Drawers in carcase colour			
					
	Chest of drawers, wide	Wall mirror	Wall shelf unit with glass shelves		
	2 DW	Horizontal or vertical			
	↔ 121 cm ↓ 44 cm ↗ 41 cm	↔ 120 cm ↓ 55 cm ↗ 2 cm	↔ 57 cm ↓ 129 cm ↗ 20 cm		
Article	B044	0838	0612		
PG	1	1	1		
Price £					

MATCHING PIECES		Drawers in carcase colour, doors and recess in application colour			
With recess					
	Chest of drawers, narrow	Chest of drawers, wide	Cupboard	Cupboard/drawer unit, right	
	4 DW + recess	4 DW + recess	2 doors + recess	4 DW/1 door right + recess	
	↔ 61 cm ↓ 95 cm ↗ 41 cm	↔ 121 cm ↓ 95 cm ↗ 41 cm	↔ 121 cm ↓ 95 cm ↗ 41 cm	↔ 121 cm ↓ 95 cm ↗ 41 cm	
Article	B500	B501	B502	B504	
PG	1	1	1	1	
Price £					

MATCHING PIECES		Drawers in carcase colour, doors and recess in application colour			
With recess					
	Cupboard/drawer unit, left	Vertiko	Cupboard	Cupboard	
	4 DW/1 door left + recess	2 DW/2 doors + recess	4 DW/2 doors + recess	3 DW/3 doors + recess	
	↔ 121 cm ↓ 95 cm ↗ 41 cm	↔ 121 cm ↓ 95 cm ↗ 41 cm	↔ 182 cm ↓ 95 cm ↗ 41 cm	↔ 182 cm ↓ 95 cm ↗ 41 cm	
Article	B505	B503	B506	B507	
PG	1	1	1	1	
Price £					

MANILA

STEFFEN



Carcase/Front	Colour code		PG	Interior colour	Extras
	Fango matt application	Black matt application			
Sanremo oak dark colour	Z3190	Z3191	1	Structure grey	Z3011
Sanremo oak light colour	Z3192	Z3193	1	Structure grey	Z3011
Walnut colour	Z3194	Z3195	1	Structure grey	Z3011

B
BASIC

MATCHING PIECES		Drawers in carcase colour, recess in application colour							
With recess									
	Chest of drawers, wide								
	2 DW + recess								
	↔ 121 cm ↓ 55 cm ↗ 41 cm								
Article	PG	Price £	B508	1					

CUPBOARD/SHELF UNITS		Shelf units in application colour								
Cupboard extras. Cupboards can be integrated into the shelf units.										
	Cupboard/shelf unit, left		Cupboard/shelf unit, right		Cupboard/shelf unit, left		Cupboard/shelf unit, right			
	4 shelves, for 60 cm cupboards		4 shelves, for 60 cm cupboards		4 shelves, for 120 cm cupboards		4 shelves, for 120 cm cupboards			
	↔ 104 cm ↓ 98 cm ↗ 43 cm		↔ 104 cm ↓ 98 cm ↗ 43 cm		↔ 164 cm ↓ 98 cm ↗ 43 cm		↔ 164 cm ↓ 98 cm ↗ 43 cm			
Article	PG	Price £	0657	1	0658	1	0659	1	0660	1

CUPBOARD/SHELF UNITS		Shelf units in application colour							
Cupboard extras. Cupboards can be integrated into the shelf units.									
	Cupboard/shelf unit, left		Cupboard/shelf unit, right						
	4 shelves, for 180 cm cupboards		4 shelves, for 180 cm cupboards						
	↔ 224 cm ↓ 98 cm ↗ 43 cm		↔ 224 cm ↓ 98 cm ↗ 43 cm						
Article	PG	Price £	0661	1	0662	1			



Carcase/Front	Colour code		PG	Interior colour	Extras
	Fango matt application	Black matt application			
Sanremo oak dark colour	Z3190	Z3191	1	Structure grey	Z3011
Sanremo oak light colour	Z3192	Z3193	1	Structure grey	Z3011
Walnut colour	Z3194	Z3195	1	Structure grey	Z3011

WARDROBES Middle doors in application colour, outer doors in carcass colour; height 223 cm

Hinged door robes	100 50		100 100		100 50 100		100 100 100			
	Please see the BASIC accessory list for wardrobe interior fittings.									
Hinged door robe		Hinged door robe		Hinged door robe		Hinged door robe				
3 doors		4 doors		5 doors		6 doors				
↔ 151 cm ↓ 223 cm ↗ 61 cm		↔ 200 cm ↓ 223 cm ↗ 61 cm		↔ 250 cm ↓ 223 cm ↗ 61 cm		↔ 300 cm ↓ 223 cm ↗ 61 cm				
Article	PG	Price £	S043	1	S044	1	S045	1	S046	1

WARDROBES Middle doors in application colour, outer doors in carcass colour; height 223 cm

Hinged door robes	100 100 50 100		100 100 100 100			
	Please see the BASIC accessory list for wardrobe interior fittings.					
Hinged door robe		Hinged door robe				
7 doors		8 doors				
↔ 349 cm ↓ 223 cm ↗ 61 cm		↔ 399 cm ↓ 223 cm ↗ 61 cm				
Article	PG	Price £	S047	1	S048	1

WARDROBES Middle doors crystal mirror, outer doors in carcass colour; height 223 cm

Hinged door robes with mirrors	100 50		100 100		100 50 100		100 100 100			
	Please see the BASIC accessory list for wardrobe interior fittings.									
Hinged door robe		Hinged door robe		Hinged door robe		Hinged door robe				
3 doors, 1 mirror		4 doors, 2 mirrors		5 doors, 3 mirrors		6 doors, 2 mirrors				
↔ 151 cm ↓ 223 cm ↗ 61 cm		↔ 200 cm ↓ 223 cm ↗ 61 cm		↔ 250 cm ↓ 223 cm ↗ 61 cm		↔ 300 cm ↓ 223 cm ↗ 61 cm				
Article	PG	Price £	S033	1	S034	1	S037	1	S038	1

MANILA

STEFFEN



Carcase/Front	Colour code		PG	Interior colour	Extras
	Fango matt application	Black matt application			
Sanremo oak dark colour	Z3190	Z3191	1	Structure grey	Z3011
Sanremo oak light colour	Z3192	Z3193	1	Structure grey	Z3011
Walnut colour	Z3194	Z3195	1	Structure grey	Z3011

B
BASIC

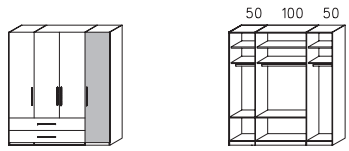
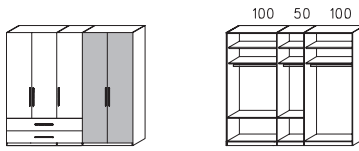
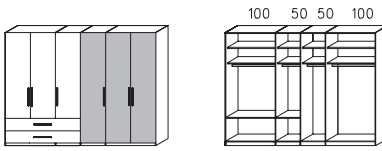
WARDROBES		Middle doors crystal mirror, outer doors in carcase colour; height 223 cm		
Hinged door robes with mirrors Please see the BASIC accessory list for wardrobe interior fittings.				
	Hinged door robe 6 doors, 4 mirrors ↔ 300 cm ↓ 223 cm ↗ 61 cm	Hinged door robe 7 doors, 5 mirrors ↔ 349 cm ↓ 223 cm ↗ 61 cm	Hinged door robe 8 doors, 6 mirrors ↔ 399 cm ↓ 223 cm ↗ 61 cm	
	Article PG Price £ S039 1	Article PG Price £ S040 1	Article PG Price £ S041 1	

WARDROBES		Middle doors crystal mirror, outer doors in application colour; drawers in carcase colour; height 223 cm		
Functional wardrobes with mirrors (symmetrical) Please see the BASIC accessory list for wardrobe interior fittings.				
	Functional wardrobe 4 doors, 2 mirrors, 2 DW in the centre ↔ 200 cm ↓ 223 cm ↗ 61 cm	Functional wardrobe 5 doors, 3 mirrors, 2 DW in the centre ↔ 250 cm ↓ 223 cm ↗ 61 cm	Functional wardrobe 6 doors, 2 mirrors, 2 DW in the centre ↔ 300 cm ↓ 223 cm ↗ 61 cm	
	Article PG Price £ S184 1	Article PG Price £ S185 1	Article PG Price £ S186 1	

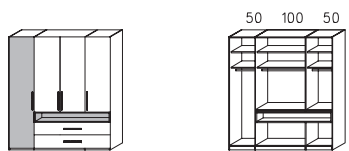
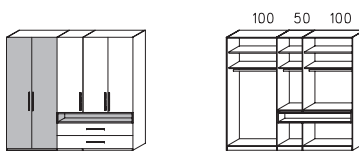
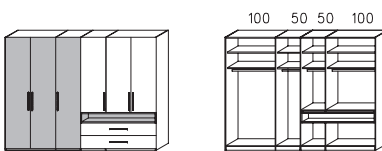
WARDROBES		Tall door(s) in application colour, functional unit in carcase colour; height 223 cm		
Functional wardrobes (asymmetrical) Please see the BASIC accessory list for wardrobe interior fittings.				
	Functional wardrobe 4 doors, 2 DW right ↔ 200 cm ↓ 223 cm ↗ 61 cm	Functional wardrobe 5 doors, 2 DW right ↔ 250 cm ↓ 223 cm ↗ 61 cm	Functional wardrobe 6 doors, 2 DW right ↔ 300 cm ↓ 223 cm ↗ 61 cm	
	Article PG Price £ S281 1	Article PG Price £ S282 1	Article PG Price £ S283 1	

Carcase/Front	Colour code		PG	Interior colour	Extras
	Fango matt application	Black matt application			
Sanremo oak dark colour	Z3190	Z3191	1	Structure grey	Z3011
Sanremo oak light colour	Z3192	Z3193	1	Structure grey	Z3011
Walnut colour	Z3194	Z3195	1	Structure grey	Z3011

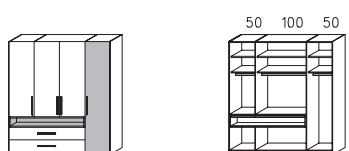
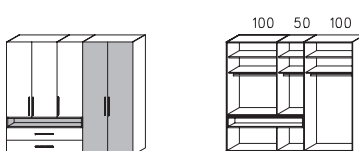
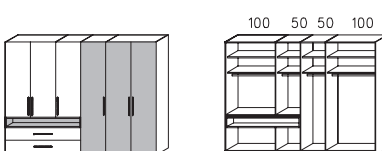
WARDROBES Tall door(s) in application colour, functional unit in carcase colour; height 223 cm

Functional wardrobes (asymmetrical) Please see the BASIC accessory list for wardrobe interior fittings.					
	Functional wardrobe 4 doors, 2 DW left ↔ 200 cm ↓ 223 cm ↗ 61 cm	Functional wardrobe 5 doors, 2 DW left ↔ 250 cm ↓ 223 cm ↗ 61 cm	Functional wardrobe 6 doors, 2 DW left ↔ 300 cm ↓ 223 cm ↗ 61 cm		
	Article PG Price £ S286 1	Article PG Price £ S287 1	Article PG Price £ S288 1		

WARDROBES Tall door(s) and recess in application colour, functional unit in carcase colour; height 223 cm





Functional wardrobes with recess (asymmetrical) Please see the BASIC accessory list for wardrobe interior fittings.					
	Functional wardrobe 4 doors, recess + 2 DW right ↔ 200 cm ↓ 223 cm ↗ 61 cm	Functional wardrobe 5 doors, recess + 2 DW right ↔ 250 cm ↓ 223 cm ↗ 61 cm	Functional wardrobe 6 doors, recess + 2 DW right ↔ 300 cm ↓ 223 cm ↗ 61 cm		
	Article PG Price £ S291 1	Article PG Price £ S292 1	Article PG Price £ S293 1		



WARDROBES Tall door(s) and recess in application colour, functional unit in carcase colour; height 223 cm

Functional wardrobes with recess (asymmetrical) Please see the BASIC accessory list for wardrobe interior fittings.					
	Functional wardrobe 4 doors, recess + 2 DW left ↔ 200 cm ↓ 223 cm ↗ 61 cm	Functional wardrobe 5 doors, recess + 2 DW left ↔ 250 cm ↓ 223 cm ↗ 61 cm	Functional wardrobe 6 doors, recess + 2 DW left ↔ 300 cm ↓ 223 cm ↗ 61 cm		
	Article PG Price £ S296 1	Article PG Price £ S297 1	Article PG Price £ S298 1		

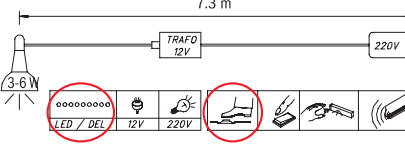
Carcase/Front	Colour code		PG	Interior colour	Extras
	Fango matt application	Black matt application			
Sanremo oak dark colour	Z3190	Z3191	1	Structure grey	Z3011
Sanremo oak light colour	Z3192	Z3193	1	Structure grey	Z3011
Walnut colour	Z3194	Z3195	1	Structure grey	Z3011



PASSEPARTOUT		Frame in carcase colour; measurements = wardrobe dimension incl. passepartout frame.			
Passepartout frame for hinged door robes and functional wardrobes					
	Passepartout frame	Passepartout frame	Passepartout frame	Passepartout frame	
	for wardrobe, 3-door	for wardrobe, 4-door	for wardrobe, 5-door	for wardrobe, 6-door	
	↔ 156 cm ↓ 226 cm ↗ 66 cm	↔ 206 cm ↓ 226 cm ↗ 66 cm	↔ 256 cm ↓ 226 cm ↗ 66 cm	↔ 305 cm ↓ 226 cm ↗ 66 cm	
Article	PG	Price £	3183	1	
			3184	1	
			3185	1	
			3186	1	



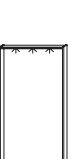
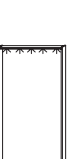
PASSEPARTOUT		Frame in carcase colour; measurements = wardrobe dimension incl. passepartout frame.		Lighting for passepartout frame	
Passepartout frame for hinged door robes and functional wardrobes					
	Passepartout frame	Passepartout frame			
	for wardrobe, 7-door	for wardrobe, 8-door			
	↔ 355 cm ↓ 226 cm ↗ 66 cm	↔ 404 cm ↓ 226 cm ↗ 66 cm			
Article	PG	Price £	3187	1	
			3188	1	

7.3 m



This luminaire contains built-in LED lamps of the energy classes A++ - A*. The lamps cannot be replaced in the luminaire.

*) on a scale from A++ (highest efficiency) to E (lowest efficiency)

PASSEPARTOUT		Frame in carcase colour; measurements = wardrobe dimension incl. passepartout frame.			
Passepartout frame for hinged door robes and functional wardrobes, with LED lighting					
	Passepartout frame, with lighting	Passepartout frame, with lighting	Passepartout frame, with lighting	Passepartout frame, with lighting	
	for wardrobe, 3-door	for wardrobe, 4-door	for wardrobe, 5-door	for wardrobe, 6-door	
	↔ 156 cm ↓ 226 cm ↗ 66 cm	↔ 206 cm ↓ 226 cm ↗ 66 cm	↔ 256 cm ↓ 226 cm ↗ 66 cm	↔ 305 cm ↓ 226 cm ↗ 66 cm	
Article	PG	Price £	3193	1	
			3194	1	
			3195	1	
			3196	1	

MANILA

STEFFEN



Carcase/Front	Colour code		PG	Interior colour	Extras
	Fango matt application	Black matt application			
Sanremo oak dark colour	Z3190	Z3191	1	Structure grey	Z3011
Sanremo oak light colour	Z3192	Z3193	1	Structure grey	Z3011
Walnut colour	Z3194	Z3195	1	Structure grey	Z3011



MADE-TO-MEASURE		APN no.	Price £
Cornice	Cornice change to accommodate a special combination of articles, per article	500	
Hinged door robe All wardrobes can be extended	Additional mirror door, per door	101	
	Replace door – different colour from the same model, per door	056	
	Shortening of height per door (incl. mirror doors)	111	
	Shortening of depth, per unit	301	
	Shortening of base (by max. 2 cm per unit)	119	
	Door hinged on the left	149	
	Angled to the rear, per unit	171	
	Angled at the side, per door (incl. mirror doors – not where the doors are sectioned)	161	
	Back angle (notching the fireplace)	160	
	Shortening of width, 1-door unit, max. 20 cm per door (not in the outer doors with hem flange)	141	
	Shortening of width, 2-door unit, max. 20 cm per door (not in the outer doors with hem flange)	142	
Shortening of width, 2 units, max. 20 cm per door (not in the outer doors with hem flange)	143		
Functional wardrobe	Long doors with mirror, per door	101	
	Replace door – different colour from the same model, per door	056	
	Short doors with mirror, per door	092	
	Short doors without mirror, per door	071	
	Shortening of height per door (incl. mirror doors)	111	
	Shortening of base (by max. 2 cm per unit)	119	
	Door hinged on the left	149	
	Angled to the rear, per unit	171	
	Angled at the sides, per door (only possible on the long doors, including mirror doors)	161	
	Back angle (notching the fireplace – not in the drawer area)	160	
	Shortening of width, 1-door unit, max. 20 cm per door (including mirror doors – no drawers)	141	
	Shortening of width, 2-door unit, max. 20 cm per door (including mirror doors – no drawers)	142	
	Shortening of width, 2 units, max. 20 cm per door (including mirror doors – no drawers)	143	
Passepartout	Shortening of height, passepartout	130	
	7 doors with lighting - 7 lamps - with 2 transformers and 2 foot switches	Art. 3193+3194	plus 34.40 £
	8 doors with lighting - 8 lamps - with 2 transformers and 2 foot switches	2 x Art. 3194	plus 34.40 £
Bed	Shortening of bed rail length to 190 cm	226	
	Shortening of bed rail length to 210 cm	230	
	Bed with 2x foot sections	030	

More made-to-measure options on next page.



Carcase/Front	Colour code		PG	Interior colour	Extras
	Fango matt application	Black matt application			
Sanremo oak dark colour	Z3190	Z3191	1	Structure grey	Z3011
Sanremo oak light colour	Z3192	Z3193	1	Structure grey	Z3011
Walnut colour	Z3194	Z3195	1	Structure grey	Z3011

MADE-TO-MEASURE		APN no.	Price £
Bedside cupboards	Shortening of width of cupboard N155 (by max. 18 cm)	242	
	Shortening of width of cupboard N166 (by max. 18 cm)	241	
Cupboards	Width cannot be shortened for cupboards with recess!		
	Shortening width of chests of drawers (wide or narrow)	246	
	Shortening of width of cupboard	248	
	Shortening of Vertiko width	258	
	Shortening of cupboard width (both sides)	248	
	Shortening of width of cupboard/drawer unit (in door area)	248	
	Shortening of width of cupboard/drawer unit (in drawer area)	246	
	Optional 3 drawers for each door	245	
	Optional 4 drawers for each door	249	
	Shortening height of all cupboards (cupboards with drawers: by whole drawers only)	250	
	Handle change possible, prices on request		
Miscellaneous	Fascia material, colour finished on both sides, 16 mm thick, max. 235.2 x 58.6 cm per sqm	260	

Further made-to-measure wardrobes are available on request!