

EXTRAS

EXTRAS

Colours of interior carcasses and extras



Grey structure

▼ For carcasse colours:

- Matt white
- Matt black
- Matt fango
- Walnut colour
- Sanremo oak dark colour



Beech colour

▼ For carcasse colours:

- Heart beech colour
- Natural royal oak colour



Detailed information about extras and interior fittings:

Additional interior fittings are available in 2 colours to match the interior colours of the wardrobe carcasses; they can be ordered using the appropriate colour code.

The individual parts are sorted by the nominal dimensions of the wardrobe elements (50|60|80|100|120 cm). You will find them immediately below your "dream wardrobe" in the row "Carcase division".

If individual parts are not assigned to any specific carcass size (e.g. tie rack), they can be installed in any element.



COL. CODE		
CARCASE COLOUR ▼	INTERIOR COLOUR ▼	▼ Col. Code EXTRAS
Matt white	Grey structure	Z3011
Matt black	Grey structure	
Matt fango	Grey structure	
Walnut colour	Grey structure	
Sanremo oak dark colour	Grey structure	
Heart beech colour	Beech colour	Z3010
Natural royal oak colour	Beech colour	

		for carcase width	50	60	80	100	120
		(nominal size in cm)					
LAUNDRY SHELF	Drawing						
	Name		Laundry shelf	Laundry shelf	Laundry shelf	Laundry shelf	Laundry shelf
	Description						
	Dimensions		↔48 cm ↓2,2 cm ↗50 cm	↔58 cm ↓2,2 cm ↗50 cm	↔79 cm ↓2,2 cm ↗50 cm	↔98 cm ↓2,2 cm ↗50 cm	↔117cm ↓2,2 cm ↗50 cm
Art. no. Price ▶		1 shelf	2055	2056	2057	2058	2059
Art. no. Price ▶		Set of 3	2155	2156	2157	2158	2159

		50	60	80	100	120
CLOTHES RAIL	Drawing					
	Name	Clothes rail	Clothes rail	Clothes rail	Clothes rail	Clothes rail
	Description					
	Dimensions	↔47 cm ↓3 cm ↗2 cm	↔57 cm ↓3 cm ↗2 cm	↔77 cm ↓3 cm ↗2 cm	↔97 cm ↓3 cm ↗2 cm	↔116 cm ↓3 cm ↗2 cm
Art. no. Price ▶		2011	2012	2017	2013	2014

		50	60	80	100	120
LAUNDRY DIVIDER	Drawing					
	Name			Laundry divider	Laundry divider	Laundry divider
	Description			4 shelves/1 clothes rail/1 centre partition	4 shelves/1 clothes rail/1 centre partition	4 shelves/1 clothes rail/1 centre partition
	Dimensions			↔79 cm ↓156 cm ↗50 cm	↔98 cm ↓156 cm ↗50 cm	↔117 cm ↓156 cm ↗50 cm
Art. no. Price ▶				2049	2050	2051

COL. CODE		
CARCASE COLOUR ▼	INTERIOR COLOUR ▼	▼ Col. Code EXTRAS
Matt white	Grey structure	Z3011
Matt black	Grey structure	
Matt fango	Grey structure	
Walnut colour	Grey structure	
Sanremo oak dark colour	Grey structure	
Heart beech colour	Beech colour	Z3010
Natural royal oak colour	Beech colour	

INTERIOR DRAWER All drawers are fitted with under-frame rails and cushioned self-closing mechanism.	for carcass width (nominal size in cm)	50	60	80	100	120
	Drawing					
	Name	Interior drawer	Interior drawer	Interior drawer	Interior drawer	Interior drawer
	Description	3 DW, aluminium-coloured handles	3 DW, aluminium-coloured handles	3 DW, aluminium-coloured handles	3 DW, aluminium-coloured handles	3 DW, aluminium-coloured handles
	Dimensions	↔48 cm ↓53 cm ↗50 cm	↔58 cm ↓53 cm ↗50 cm	↔79 cm ↓53 cm ↗50 cm	↔98 cm ↓53 cm ↗50 cm	↔117 cm ↓53 cm ↗50 cm
Art. no. Price ▶		2070	2071	2069	2072	2073

SMALL BOX OF DRAWERS FOR ALL CARCASE WIDTHS All drawers are fitted with under-frame rails and cushioned self-closing mechanism.	Drawing	suitable for all carcass widths	suitable for all carcass widths	suitable for all carcass widths	suitable for all carcass widths	suitable for all carcass widths
	Name	Box of drawers	Box of drawers	Box of drawers	Box of drawers	Box of drawers
	Description	3 DW, aluminium-coloured handles	3 DW, aluminium-coloured handles	3 DW, aluminium-coloured handles	3 DW, aluminium-coloured handles	3 DW, aluminium-coloured handles
	Dimensions	↔48 cm ↓54 cm ↗50 cm	↔48 cm ↓54 cm ↗50 cm	↔48 cm ↓54 cm ↗50 cm	↔48 cm ↓54 cm ↗50 cm	↔48 cm ↓54 cm ↗50 cm
Art. no. Price ▶		2074	2074	2074	2074	2074

LARGE BOX OF DRAWERS All drawers are fitted with under-frame rails and cushioned self-closing mechanism.	Drawing			can be mounted on the left or right	can be mounted on the left or right	can be mounted on the left or right
	Name			Large box of drawers	Large box of drawers	Large box of drawers
	Description			3 DW, 4 SF, aluminium-coloured handles	3 DW, 4 SF, aluminium-coloured handles	3 DW, 4 SF, aluminium-coloured handles
	Dimensions			↔79 cm ↓94 cm ↗50 cm	↔98 cm ↓94 cm ↗50 cm	↔117 cm ↓94 cm ↗50 cm
Art. no. Price ▶				2078	2079	2080

COL. CODE		
CARCASE COLOUR ▼	INTERIOR COLOUR ▼	▼ Col. Code EXTRAS
Matt white	Grey structure	Z3011
Matt black	Grey structure	
Matt fango	Grey structure	
Walnut colour	Grey structure	
Sanremo oak dark colour	Grey structure	Z3010
Heart beech colour	Beech colour	
Natural royal oak colour	Beech colour	

* Interior lighting art. 2060 - 2064

This luminaire contains built-in LED lamps of the energy classes A++ - A*
The lamps cannot be replaced in the luminaire.
*) on a scale from A++ (highest efficiency) to E (lowest efficiency)

TROUSER PULL-OUT	for carcase width (nominal size in cm)	50	60	80	100	120
	Drawing					
	Name			Pull-out trouser holder	Pull-out trouser* holder	Pull-out trouser holder
	Description		¹ Note: The trouser pull-out, size 100 (2083), cannot be mounted in the 2nd carcase element from the left on gliding door robes W 380 cm.	can be mounted on both sides	can be mounted on both sides ¹	can be mounted on both sides
	Dimensions			incl. shelf and 9 bars ↔ 79 cm ↓ 11 cm ↗ 50 cm	incl. shelf and 13 bars ↔ 98 cm ↓ 11 cm ↗ 50 cm	incl. shelf and 17 bars ↔ 117 cm ↓ 11 cm ↗ 50 cm
Art. no. Price ▶				2082	2083	2084

CLOTHES LIFT for hinged door robes only	Drawing					
	Name			Clothes lift	Clothes lift	Clothes lift
	Description			Adjustable width for hinged door robes	Adjustable width for hinged door robes	Adjustable width for hinged door robes
	Dimensions			↔ 80-120 cm ↓ 120 cm ↗ 14 cm	↔ 80-120 cm ↓ 120 cm ↗ 14 cm	↔ 80-120 cm ↓ 120 cm ↗ 14 cm
	Art. no. Price ▶			2120	2120	2120

INTERIOR LIGHTING	Drawing					
	Name	LED interior lighting*	LED interior lighting*	LED interior lighting*	LED interior lighting*	LED interior lighting*
	Description	Set incl. transformer and motion sensor	Set incl. transformer and motion sensor	Set incl. transformer and motion sensor	Set incl. transformer and motion sensor	Set incl. transformer and motion sensor
	Dimensions	↔ 48 cm ↓ 3 cm ↗ 2 cm	↔ 58 cm ↓ 3 cm ↗ 2 cm	↔ 79 cm ↓ 3 cm ↗ 2 cm	↔ 98 cm ↓ 3 cm ↗ 2 cm	↔ 117 cm ↓ 3 cm ↗ 2 cm
	Art. no. Price ▶	2060	2062	2063	2061	2064

COL. CODE		
CARCASE COLOUR ▼	INTERIOR COLOUR ▼	▼ Col. Code EXTRAS
Matt white	Grey structure	Z3011
Matt black	Grey structure	
Matt fango	Grey structure	
Walnut colour	Grey structure	
Sanremo oak dark colour	Grey structure	
Heart beech colour	Beech colour	Z3010
Natural royal oak colour	Beech colour	

EXTRAS FOR CORNER-ROBES AND BEVELLED ELEMENTS	Drawing						
	Name	Laundry shelf	Laundry shelf	Laundry shelf	Laundry shelf	Clothes rail, curved	Utensil rack
	Description	for bevelled elements, left or right	for 1-door corner-robe 45°	for 2-door corner-robe 90°	for 2-door corner-robe 90°	for 2-door corner-robe 90°	for 1-door corner-robe 45°
	Dimensions	↔45 cm ↓2,2 cm ↗50 cm	↔98 cm ↓2,2 cm ↗50 cm	↔111 cm ↓2,2 cm ↗111 cm	↔85 cm ↓3 cm ↗85 cm	↔34 cm ↓85 cm ↗13 cm	
Art. no. Price ▶		2052	2053	2054	2018	0008	

EXTRAS FOR GLIDING DOOR ROBES	Drawing					
	Name	Set of door dampers	Set of door dampers	Collision damper	Dampers for bed drawers	Dampers for bed drawers
	Description	for 2-door gliding door robes	for 4-door gliding door robes	for 2-door gliding door robes	Set for single beds (1 drawer)	Set for double beds (2 drawers)
	Dimensions					
Art. no. Price ▶		2002	2003	2000	2201	2200

MISCELLANEOUS	Drawing					
	Name	Interior mirror	Interior mirror	Interior mirror		
	Description	1 part, for short/split hinged doors	1 part, for full-length hinged doors	2 part, for hinged doors with inlay panel		
	Dimensions	↔28 cm ↓128 cm ↗1 cm	↔30 cm ↓160 cm ↗1 cm	↔30 cm ↓150 cm ↗1 cm		
Art. no. Price ▶		2117	2118	2119		





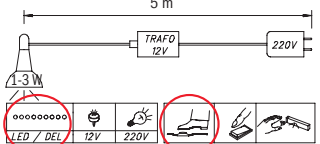
COL. CODE		
CARCASE COLOUR ▼	INTERIOR COLOUR ▼	▼ Col. Code EXTRAS
Matt white	Grey structure	Z3011
Matt black	Grey structure	
Matt fango	Grey structure	
Walnut colour	Grey structure	
Sanremo oak dark colour	Grey structure	Z3010
Heart beech colour	Beech colour	
Natural royal oak colour	Beech colour	






MISCELLANEOUS							
Art. no. Price ▶	Drawing						
	Name	Tie rack, swivelling	Pull-out trouser holder	External clothes hook			
	Description	for hinged door or inside of wardrobe	for inside of wardrobe	for outside of wardrobe			
	Dimensions	↔33 cm ↓33 cm ↗1 cm	↔25 cm ↓7 cm ↗46 cm	↔27 cm ↓51 cm ↗7 cm			
		0003	0007	2001			




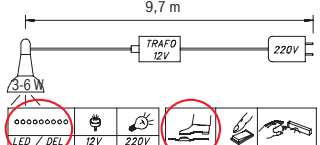
LIGHTING MOUNTED ON THE WARDROBE							
Art. no. Price ▶	Drawing						
	Name	Set of 1 lamp „LINEA 50“	Set of 1 lamp „LINEA 100“	Set of 1 lamp „LINEA 50“	Set of 1 lamp „LINEA 100“		
	Description	Chrome-coloured, incl. transformer and foot switch	Chrome-coloured, incl. transformer and foot switch	Aluminium-coloured, incl. transformer and foot switch	Aluminium-coloured, incl. transformer and foot switch	This luminaire contains built-in LED lamps of the energy classes A++ - A* The lamps cannot be replaced in the luminaire.	
	Dimensions	↔50 cm ↓7 cm	↔100 cm ↓7 cm	↔50 cm ↓7 cm	↔100 cm ↓7 cm	*) on a scale from A++ (highest efficiency) to E (lowest efficiency)	
		1266	1267	1264	1265		

LIGHTING MOUNTED ON THE WARDROBE							
Art. no. Price ▶	Drawing						
	Name	Set of 1 lamp „LINEA 50“	Set of 1 lamp „LINEA 100“				
	Description	Black-coloured, incl. transformer and foot switch	Black-coloured, incl. transformer and foot switch			This luminaire contains built-in LED lamps of the energy classes A++ - A* The lamps cannot be replaced in the luminaire.	
	Dimensions	↔50 cm ↓7 cm	↔100 cm ↓7 cm			*) on a scale from A++ (highest efficiency) to E (lowest efficiency)	
		1262	1263				

COL. CODE		
CARCASE COLOUR ▼	INTERIOR COLOUR ▼	▼ Col. Code EXTRAS
Matt white	Grey structure	Z 3011
Matt black	Grey structure	
Matt fango	Grey structure	
Walnut colour	Grey structure	
Sanremo oak dark colour	Grey structure	
Heart beech colour	Beech colour	Z 3010
Natural royal oak colour	Beech colour	

LIGHTING MOUNTED ON THE WARDROBE	Drawing					 <p>This luminaire contains built-in LED lamps of the energy classes A++ - A* The lamps cannot be replaced in the luminaire.</p> <p>*) on a scale from A++ (highest efficiency) to E (lowest efficiency)</p>
	Name	Set of 1 lamp „TURN“	Set of 2 lamps „TURN“	Set of 3 lamps „TURN“		
	Description	Aluminium-coloured, incl. transformer and foot switch	Aluminium-coloured, incl. transformer and foot switch	Aluminium-coloured, incl. transformer and foot switch		
	Dimensions	↔ 30 cm ↓ 7 cm	↔ je 30 cm ↓ 7 cm	↔ je 30 cm ↓ 7 cm		
Art. no.	Price ▶	1294	1295	1296		

LIGHTING MOUNTED ON THE WARDROBE	Drawing					 <p>This luminaire contains built-in LED lamps of the energy classes A++ - A* The lamps cannot be replaced in the luminaire.</p> <p>*) on a scale from A++ (highest efficiency) to E (lowest efficiency)</p>
	Name	Set of 1 lamp „CARREE“	Set of 2 lamps „CARREE“	Set of 3 lamps „CARREE“		
	Description	Aluminium-coloured, incl. transformer and foot switch	Aluminium-coloured, incl. transformer and foot switch	Aluminium-coloured, incl. transformer and foot switch		
	Dimensions	↔ 33 cm ↓ 4 cm	↔ je 33 cm ↓ 4 cm	↔ je 33 cm ↓ 4 cm		
Art. no.	Price ▶	2191	2192	2193		

LIGHTING MOUNTED ON THE WARDROBE	Drawing					 <p>This luminaire contains built-in LED lamps of the energy classes A++ - A* The lamps cannot be replaced in the luminaire.</p> <p>*) on a scale from A++ (highest efficiency) to E (lowest efficiency)</p>
	Name	Set of 2 lamps „STAR“	Set of 3 lamps „STAR“			
	Description	Chrome-coloured, incl. transformer and foot switch	Chrome-coloured, incl. transformer and foot switch			
	Dimensions	↔ je 9 cm ↓ 5 cm	↔ je 9 cm ↓ 5 cm			
Art. no.	Price ▶	2194	2195			

EXTRAS | Wardrobes

For hinged and gliding door robes
in colour and partly-solid

20^{UP}



COL. CODE		
CARCASE COLOUR ▼	INTERIOR COLOUR ▼	▼ Col. Code EXTRAS
Matt white	Grey structure	Z 3011
Matt black	Grey structure	
Matt fango	Grey structure	
Walnut colour	Grey structure	
Sanremo oak dark colour	Grey structure	Z 3010
Heart beech colour	Beech colour	
Natural royal oak colour	Beech colour	

LIGHTING MOUNTED ON THE WARDROBE	Drawing				 This luminaire contains built-in LED lamps of the energy classes A++ - A* The lamps cannot be replaced in the luminaire. *) on a scale from A++ (highest efficiency) to E (lowest efficiency)
	Name	Set of 2 lamps „L-Stixx“	Set of 3 lamps „L-Stixx“		
	Description	incl. transformer and foot switch	incl. transformer and foot switch		
	Dimensions				
Art. no.	Price ▶	1268	1269		

LIGHTING ACCESSORIES	Drawing			
	Name	Interior lighting, LED, w. motion sensor	Indirect bedside lighting, LED	3-pin socket
	Description	with rechargeable battery, incl. USB cabel	Set of 2, incl. transformer, with motion sensor	
	Dimensions	↔ 10 cm ↓ 2 cm ↗ 10 cm	↔ 2 cm ↓ 3 cm ↗ 28 cm	
Art. no.	Price ▶	0067	2009	2199