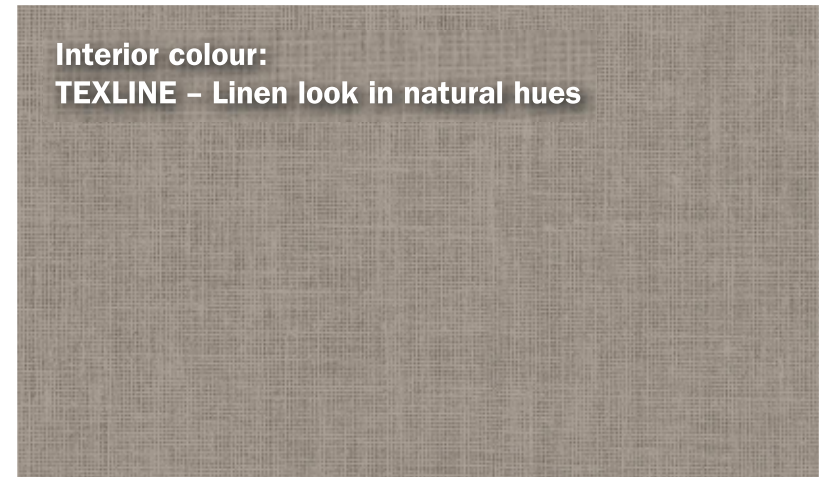



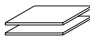
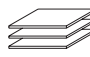
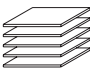





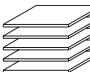
Front/Carcase	Colour no.
Textline (Linen look in natural hues)	A0033

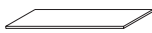


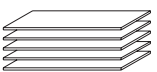



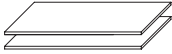
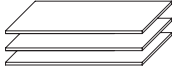
Interior colour:
TEXTLINE – Linen look in natural hues





Front/Carcase	Colour no.
Texline (Linen look in natural hues)	A0033



ELEMENT WIDTH 45		Shelves			
45					
		1 shelf	2 shelves	3 shelves	5 shelves
		↔ 43 cm ↓ 1,6 cm ↗ 45 cm			
	Article	Price £	9601	9F22	9602

ELEMENT WIDTH 66		Shelves			
66					
		1 shelf	2 shelves	3 shelves	5 shelves
		↔ 66 cm ↓ 1,6 cm ↗ 45 cm			
	Article	Price £	9F11	9F12	9F13





ELEMENT WIDTH 90		Shelves			
90					
		1 shelf	2 shelves	3 shelves	5 shelves
		↔ 88 cm ↓ 1,6 cm ↗ 45 cm			
	Article	Price £	9604	9F21	9605


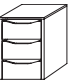

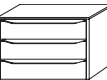
Front/Carcase		Colour no.	
Texline (Linen look in natural hues)		A0033	
ELEMENT WIDTH 112,5 Shelves			
<div style="background-color: black; color: white; padding: 5px; font-weight: bold; font-size: 1.2em;">112,5</div> <p>NOTE! Structural constraints dictate a shelf thickness of 2.2 cm for elements that are 112,5 cm wide.</p>			
	1 shelf	2 shelves	3 shelves
	↔ 111 cm ↓ 2,2 cm ↗ 48 cm	↔ 111 cm ↓ 2,2 cm ↗ 48 cm	↔ 111 cm ↓ 2,2 cm ↗ 48 cm
	Article	Price £	9F01

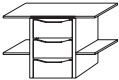


EXTRAS Shoe shelves							
<div style="background-color: black; color: white; padding: 5px; font-weight: bold; font-size: 1.2em;">45</div> 	<div style="background-color: black; color: white; padding: 5px; font-weight: bold; font-size: 1.2em;">45</div> 	<div style="background-color: black; color: white; padding: 5px; font-weight: bold; font-size: 1.2em;">66</div> 	<div style="background-color: black; color: white; padding: 5px; font-weight: bold; font-size: 1.2em;">66</div> 				
				2 shoe shelves	3 shoe shelves	2 shoe shelves	3 shoe shelves
				Shelves with profiles	Shelves with profiles	Shelves with profiles	Shelves with profiles
				↔ 43 cm ↓ 1,6 cm ↗ 37 cm	↔ 43 cm ↓ 1,6 cm ↗ 37 cm	↔ 66 cm ↓ 1,6 cm ↗ 37 cm	↔ 66 cm ↓ 1,6 cm ↗ 37 cm
Article	Price £	9FE2	9FE3				

EXTRAS Shoe shelves					
<div style="background-color: black; color: white; padding: 5px; font-weight: bold; font-size: 1.2em;">90</div> 	<div style="background-color: black; color: white; padding: 5px; font-weight: bold; font-size: 1.2em;">90</div> 				
				2 shoe shelves	3 shoe shelves
				Shelves with profiles	Shelves with profiles
				↔ 88 cm ↓ 1,6 cm ↗ 37 cm	↔ 88 cm ↓ 1,6 cm ↗ 37 cm
Article	Price £	9FH2	9FH3		

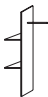

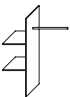

Front/Carcase	Colour no.
Texline (Linen look in natural hues)	A0033




EXTRAS		Hanging rails			
		45	66	90	112,5
					
		Hanging rail	Hanging rail	Hanging rail	Hanging rail
		↔ 43 cm ↓ 3 cm ↗ 1 cm	↔ 65 cm ↓ 3 cm ↗ 1 cm	↔ 87 cm ↓ 3 cm ↗ 1 cm	↔ 110 cm ↓ 3 cm ↗ 1 cm
Article	Price £	9737	9743	9736	9709



EXTRAS		Drawer units			
NOT for folding door robes!		45	45	90	90
					
		Drawer unit with 2 drawers	Drawer unit with 3 drawers	Drawer unit with 2 drawers	Drawer unit with 3 drawers
		↔ 43 cm ↓ 39 cm ↗ 45 cm	↔ 43 cm ↓ 57 cm ↗ 45 cm	↔ 88 cm ↓ 39 cm ↗ 45 cm	↔ 88 cm ↓ 57 cm ↗ 45 cm
Article	Price £	9843	9893	9845	9895


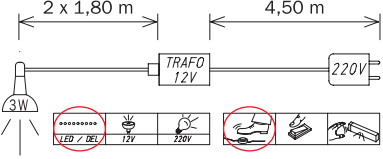

EXTRAS		Drawer units, internal division		
NOT for folding door robes!		90	112,5	112,5
				
		Drawer unit with 3 drawers	Drawer unit with 2 drawers	Drawer unit with 3 drawers
		↔ 88 cm ↓ 57 cm ↗ 45 cm	↔ 111 cm ↓ 39 cm ↗ 45 cm	↔ 111 cm ↓ 57 cm ↗ 45 cm
Article	Price £	9898	9804	9806

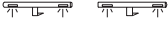
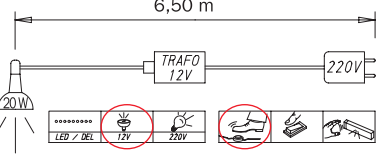

Front/Carcase	Colour no.
Texline (Linen look in natural hues)	A0033


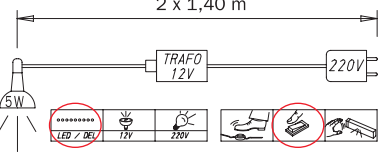

EXTRAS		90		90		112,5		112,5	
									
		Laundry divider		Laundry divider		Laundry divider		Laundry divider	
		1/2-1/2 division		Can be used with existing hanging rail.		1/3-2/3 division		Can be used with existing hanging rail.	
		↔ 88 cm ↓ 147 cm ↗ 45 cm		↔ 45 cm ↓ 147 cm ↗ 45 cm		↔ 111 cm ↓ 147 cm ↗ 48 cm		↔ 45 cm ↓ 147 cm ↗ 48 cm	
Article	Price £	9951		9934		9939		9955	

EXTRAS		9HL1		990H		9768	
							
		Hooks		Trousers holder		Tie rack, swivelling	
		Mounted internally on side of wardrobe/on hinged door		Mounted internally on sides of wardrobe		Mounted internally on hinged door	
		↔ 34 cm ↓ 5 cm ↗ 3 cm		↔ 22 cm ↓ 7 cm ↗ 46 cm		↔ 31 cm ↓ 27 cm ↗ 6 cm	
Article	Price £	9HL1		990H		9768	

EXTRAS		Door damper for hinged doors	
			
			
		Hinged door dampers, set of 5	
		Min. 2 per door. For wardrobes, matching pieces, etc.	
		NOT possible with corner-robes.	
		Hinged door dampers, set of 10	
		Min. 2 per door. For wardrobes, matching pieces, etc.	
		NOT possible with corner-robes.	
Article	Price £	9DD5	9DD0

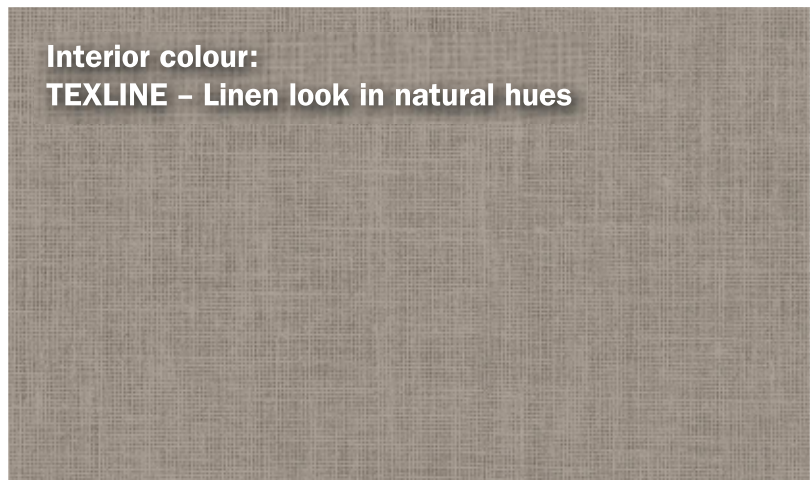
Front/Carcase		Colour no.		
Texline (Linen look in natural hues)		A0033		
EXTRAS Wardrobe lighting				
				
	<p>LED lights incl. transformer</p> <p>Set of 2</p> <p>↔ 39 cm ↓ 7 cm ↗ 17 cm</p>			<p>LED lights incl. transformer</p> <p>Set of 3</p> <p>↔ 39 cm ↓ 7 cm ↗ 17 cm</p>
	<p>This luminaire contains built-in LED lamps of the energy classes A++ - A* The lamps cannot be replaced in the luminaire.</p> <p>*) on a scale from A++ (highest efficiency) to E (lowest efficiency)</p>			<p>This luminaire contains built-in LED lamps of the energy classes A++ - A* The lamps cannot be replaced in the luminaire.</p> <p>*) on a scale from A++ (highest efficiency) to E (lowest efficiency)</p>
Article	Price £	9L48	9L49	

EXTRAS Wardrobe lighting		EXTRAS Wardrobe lighting		
				
	<p>Set of 2 halogen lights</p> <p>with foot switch + transformer, aluminium-coloured</p> <p>↔ 45 cm ↓ 6 cm ↗ 12 cm</p>			<p>Interior lighting, LED , w. motion sensor</p> <p>with rechargeable battery, incl. USB cabel</p> <p>↔ 10 cm ↓ 2 cm ↗ 10 cm</p>
	<p>This luminaire is compatible with bulbs of the energy classes D - E* The luminaire is sold with a bulb of the energy class D.</p> <p>*) on a scale from A++ (highest efficiency) to E (lowest efficiency)</p> <p>weighted energy consumption 10,6 kWh/1000 h</p>			<p>This luminaire contains built-in LED lamps of the energy classes A++ - A* The lamps cannot be replaced in the luminaire.</p> <p>*) on a scale from A++ (highest efficiency) to E (lowest efficiency)</p>
Article	Price £	995L	9T1B	

EXTRAS Installation on the headboard		EXTRAS Installation on the headboard		
				
	<p>Swivel light</p> <p>Power LED for headboard</p> <p>2 x ↔ 3 cm ↓ 3 cm ↗ 49 cm</p>			<p>This luminaire contains built-in LED lamps of the energy classes A++ - A* The lamps cannot be replaced in the luminaire.</p> <p>*) on a scale from A++ (highest efficiency) to E (lowest efficiency)</p>
	<p>This luminaire contains built-in LED lamps of the energy classes A++ - A* The lamps cannot be replaced in the luminaire.</p> <p>*) on a scale from A++ (highest efficiency) to E (lowest efficiency)</p>			<p>This luminaire contains built-in LED lamps of the energy classes A++ - A* The lamps cannot be replaced in the luminaire.</p> <p>*) on a scale from A++ (highest efficiency) to E (lowest efficiency)</p>
Article	Price £	99LP		



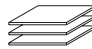
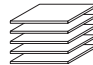


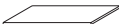
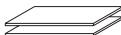
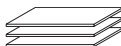
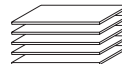
Front/Carcase	Colour no.
Texline (Linen look in natural hues)	A0033

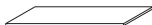
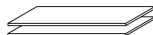
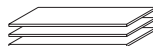



Interior colour:
TEXLINE – Linen look in natural hues

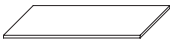
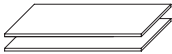
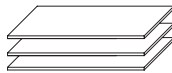
Front/Carcase	Colour no.
Texline (Linen look in natural hues)	A0033





ELEMENT WIDTH 45		Shelves			
45					
		1 shelf	2 shelves	3 shelves	5 shelves
		↔ 43 cm ↓ 1,6 cm ↗ 48 cm	↔ 43 cm ↓ 1,6 cm ↗ 48 cm	↔ 43 cm ↓ 1,6 cm ↗ 48 cm	↔ 43 cm ↓ 1,6 cm ↗ 48 cm
	Article	Price £	9664	9665	9666



ELEMENT WIDTH 66		Shelves			
66					
		1 shelf	2 shelves	3 shelves	5 shelves
		↔ 66 cm ↓ 1,6 cm ↗ 48 cm	↔ 66 cm ↓ 1,6 cm ↗ 48 cm	↔ 66 cm ↓ 1,6 cm ↗ 48 cm	↔ 66 cm ↓ 1,6 cm ↗ 48 cm
	Article	Price £	9668	9669	9670

ELEMENT WIDTH 90		Shelves			
90					
		1 shelf	2 shelves	3 shelves	5 shelves
		↔ 88 cm ↓ 1,6 cm ↗ 48 cm	↔ 88 cm ↓ 1,6 cm ↗ 48 cm	↔ 88 cm ↓ 1,6 cm ↗ 48 cm	↔ 88 cm ↓ 1,6 cm ↗ 48 cm
	Article	Price £	9672	9673	9674





Front/Carcase	Colour no.
Texline (Linen look in natural hues)	A0033


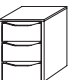


ELEMENT WIDTH 112,5		Shelves			
<div style="background-color: black; color: white; padding: 5px; display: inline-block; font-weight: bold;">112,5</div> NOTE! Structural constraints dictate a shelf thickness of 2.2 cm for elements that are 112,5 cm wide.					
	1 shelf	2 shelves	3 shelves		
	↔ 111 cm ↓ 2,2 cm ↗ 48 cm	↔ 111 cm ↓ 2,2 cm ↗ 48 cm	↔ 111 cm ↓ 2,2 cm ↗ 48 cm		
	Article	Price £	9F01	9F02	9F03




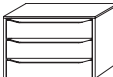
EXTRAS		Shoe shelves				
	<div style="background-color: black; color: white; padding: 5px; display: inline-block; font-weight: bold;">45</div>	<div style="background-color: black; color: white; padding: 5px; display: inline-block; font-weight: bold;">45</div>	<div style="background-color: black; color: white; padding: 5px; display: inline-block; font-weight: bold;">66</div>	<div style="background-color: black; color: white; padding: 5px; display: inline-block; font-weight: bold;">66</div>		
						
	2 shoe shelves	3 shoe shelves	2 shoe shelves	3 shoe shelves		
	Shelves with profiles ↔ 43 cm ↓ 1,6 cm ↗ 37 cm	Shelves with profiles ↔ 43 cm ↓ 1,6 cm ↗ 37 cm	Shelves with profiles ↔ 66 cm ↓ 1,6 cm ↗ 37 cm	Shelves with profiles ↔ 66 cm ↓ 1,6 cm ↗ 37 cm		
Article	Price £	9FE2	9FE3	9FG2	9FG3	

EXTRAS		Shoe shelves			
	<div style="background-color: black; color: white; padding: 5px; display: inline-block; font-weight: bold;">90</div>	<div style="background-color: black; color: white; padding: 5px; display: inline-block; font-weight: bold;">90</div>			
					
	2 shoe shelves	3 shoe shelves			
	Shelves with profiles ↔ 88 cm ↓ 1,6 cm ↗ 37 cm	Shelves with profiles ↔ 88 cm ↓ 1,6 cm ↗ 37 cm			
Article	Price £	9FH2	9FH3		

Front/Carcase	Colour no.
Texline (Linen look in natural hues)	A0033

EXTRAS		Hanging rail			
		45	66	90	112,5
					
		Hanging rail	Hanging rail	Hanging rail	Hanging rail
		↔ 43 cm ↓ 3 cm ↗ 1 cm	↔ 65 cm ↓ 3 cm ↗ 1 cm	↔ 87 cm ↓ 3 cm ↗ 1 cm	↔ 110 cm ↓ 3 cm ↗ 1 cm
Article	Price £	9737	9743	9736	9709

EXTRAS		Drawer units			
		45	45	66	66
					
		Drawer unit	Drawer unit	Drawer unit	Drawer unit
		with 2 drawers	with 3 drawers	with 2 drawers, left/right	with 3 drawers, left/right
		↔ 43 cm ↓ 39 cm ↗ 45 cm	↔ 43 cm ↓ 57 cm ↗ 45 cm	↔ 66 cm ↓ 39 cm ↗ 45 cm	↔ 66 cm ↓ 57 cm ↗ 45 cm
Article	Price £	9843	9893	9864	9860

EXTRAS		Drawer units			
		90	90	90	90
					
		Drawer unit	Drawer unit	Drawer unit	Drawer unit
		with 2 drawers, left/right	with 3 drawers, left/right	with 2 drawers	with 3 drawers
		↔ 88 cm ↓ 39 cm ↗ 45 cm	↔ 88 cm ↓ 57 cm ↗ 45 cm	↔ 88 cm ↓ 39 cm ↗ 45 cm	↔ 88 cm ↓ 57 cm ↗ 45 cm
Article	Price £	9865	9866	9845	9895


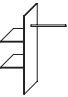

Front/Carcase	Colour no.
Texline (Linen look in natural hues)	A0033





EXTRAS		Drawer units		
		90	112,5	112,5
		Drawer unit with 3 drawers	Drawer unit with 2 drawers	Drawer unit with 3 drawers
		↔ 88 cm ↓ 57 cm ↗ 45 cm	↔ 111 cm ↓ 39 cm ↗ 45 cm	↔ 111 cm ↓ 57 cm ↗ 45 cm
Article	Price £	9898	9804	9806

GLIDING DOORS		Options for installing drawer units in gliding door wardrobes			
		66 66 	90 90 	90 90 45 	112,5 112,5
Description		Gliding door wardrobe W 136 cm, 2-door	Gliding door wardrobe W 181 cm, 2-door	Gliding door wardrobe W 226 cm, 2-door	Gliding door wardrobe W 226 cm, 2-door

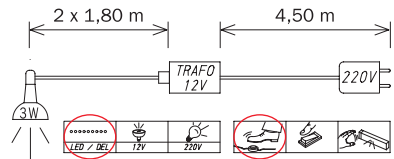
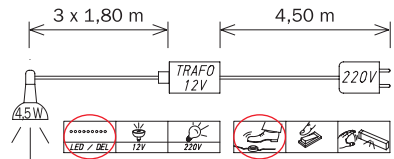


GLIDING DOORS		Options for installing drawer units in gliding door wardrobes			
		90 90 90 	90 90 90 	90 45 90 90 	45 90 90 90 45
Description		Gliding door wardrobe W 271 cm, 2-door	Gliding door wardrobe W 271 cm, 3-door	Gliding door wardrobe W 316 cm, 3-door	Gliding door wardrobe W 361 cm, 3-door

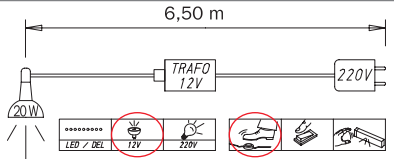
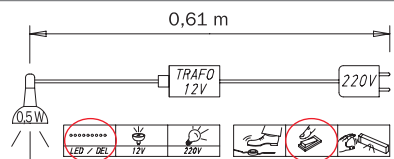


Front/Carcase	Colour no.
Texline (Linen look in natural hues)	A0033

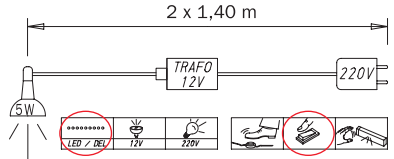

EXTRAS			
	90 	112,5 	90 + 112,5 
	Laundry divider 1/2-, 1/2-division ↔ 88 cm ↓ 147 cm ↗ 48 cm	Laundry divider 1/3-2/3 division ↔ 111 cm ↓ 147 cm ↗ 48 cm	Laundry divider Can be used with existing hanging rail. ↔ 45 cm ↓ 147 cm ↗ 48 cm
Article	Price £ 9991	9939	9955

EXTRAS			
			
	Complete door damper kit Cushions the door stop on the outer panels of the wardrobe.	Hooks Mounted internally on sides of wardrobe ↔ 34 cm ↓ 5 cm ↗ 3 cm	Trousers holder Mounted internally on sides of wardrobe ↔ 22 cm ↓ 7 cm ↗ 46 cm
			
			Coat hanger rail Mounted externally on sides of wardrobe ↔ 27 cm ↓ 52 cm ↗ 2 cm
Article	Price £ 9TD7	9HL1	990H
			9767

EXTRAS			
			
	Interior mirror, hinged mirror width 31 cm, extends from 45 to 73 cm ↔ 73 cm ↓ 115 cm ↗ 4 cm		
Article	Price £ 9408		

		Front/Carcase	Colour no.
		Texline (Linen look in natural hues)	A0033
EXTRAS		Wardrobe lighting	
			
			
		LED lights incl. transformer Set of 2 ↔ 39 cm ↓ 7 cm ↗ 17 cm	LED lights incl. transformer Set of 3 ↔ 39 cm ↓ 7 cm ↗ 17 cm
Article	Price £	9L48	9L49
		This luminaire contains built-in LED lamps of the energy classes A++ - A* The lamps cannot be replaced in the luminaire. *) on a scale from A++ (highest efficiency) to E (lowest efficiency)	This luminaire contains built-in LED lamps of the energy classes A++ - A* The lamps cannot be replaced in the luminaire. *) on a scale from A++ (highest efficiency) to E (lowest efficiency)

EXTRAS		Wardrobe lighting	Interior lighting
			
			
		Set of 2 halogen lights with foot switch + transformer, aluminium-coloured ↔ 45 cm ↓ 6 cm ↗ 12 cm	Interior lighting, LED, w. motion sensor with rechargeable battery, incl. USB cabel ↔ 10 cm ↓ 2 cm ↗ 10 cm
Article	Price £	995L	9T1B
		This luminaire is compatible with bulbs of the energy classes D - E* The luminaire is sold with a bulb of the energy class D. *) on a scale from A++ (highest efficiency) to E (lowest efficiency) weighted energy consumption 10,6 kWh/1000 h	This luminaire contains built-in LED lamps of the energy classes A++ - A* The lamps cannot be replaced in the luminaire. *) on a scale from A++ (highest efficiency) to E (lowest efficiency)

EXTRAS		Installation on the headboard	
			
			
		Swivel light Power LED for headboard 2 x ↔ 3 cm ↓ 3 cm ↗ 49 cm	
Article	Price £	99LP	
		This luminaire contains built-in LED lamps of the energy classes A++ - A* The lamps cannot be replaced in the luminaire. *) on a scale from A++ (highest efficiency) to E (lowest efficiency)	



For gliding door robes (shelf depth 48 cm)

EXTRAS

PACK'S

The "PC" logo is a dark grey square with the letters "PC" in white, bold, uppercase font.