



Interior colour:
DRESSLINE CARBON –
elegant linen look

Interior colour	Colour no.
Dressline carbon (elegant linen look)	A0055

Interior colour	Colour no.
Dressline carbon colour	A0055

ELEMENT WIDTH 45		Shelves			
45					
	1 shelf	2 shelves	3 shelves	4 shelves	
	↔ 43 cm ↓ 2,2 cm ↗ 54 cm	↔ 43 cm ↓ 2,2 cm ↗ 54 cm	↔ 43 cm ↓ 2,2 cm ↗ 54 cm	↔ 43 cm ↓ 2,2 cm ↗ 54 cm	
	Article	Price £	9682	9694	9683

ELEMENT WIDTH 90		Shelves			
90					<p>This luminaire contains built-in LED lamps of the energy classes A++ - A*. The lamps cannot be replaced in the luminaire.</p> <p>*) on a scale from A++ (highest efficiency) to E (lowest efficiency)</p> <p>Mountable only in conjunction with shelves, w 90 cm.</p>
	1 shelf	2 shelves	3 shelves	Shelf lightning	
	↔ 88 cm ↓ 2,2 cm ↗ 54 cm	↔ 88 cm ↓ 2,2 cm ↗ 54 cm	↔ 88 cm ↓ 2,2 cm ↗ 54 cm	↔ 88 cm ↓ 2 cm ↗ 2 cm	
	Article	Price £	9685	9695	

ELEMENT WIDTH 90		Shelves				Options for installing pull-out shelf in gliding door robes.			
90	Installation in hinged door wardrobes, w 90 cm, and in panorama wardrobes, w 181 cm only.		<p>90 45 90</p> <p>9FB9 9FB9</p> <p>↔</p> <p>Gliding door robe w 225 cm, 2 doors</p>	<p>90 90 90</p> <p>9FB9 9FB9</p> <p>↔</p> <p>Gliding door robe w 270 cm, 3 doors</p>	<p>45 90 90 90 45</p> <p>9FB9 9FB9</p> <p>↔</p> <p>Gliding door robe w 360 cm, 3 doors</p>	<p>90 45 45 90 45 90</p> <p>9FB9 9FB9</p> <p>↔</p> <p>Gliding door robe w 405 cm, 3 doors</p>			
	1 shelf, pull-out	<p>90 45 45 90</p> <p>9FB9 9FB9</p> <p>↔</p> <p>Gliding door robe w 270 cm, 2 doors</p>	<p>90 45 90 90</p> <p>9FB9 9FB9</p> <p>↔</p> <p>Gliding door robe w 315 cm, 3 doors</p>						
	↔ 80 cm ↓ 16 cm ↗ 52 cm								
	Article	Price £	9FB9						

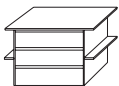
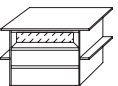
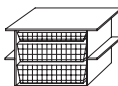
Interior colour	Colour no.
Dressline carbon colour	A0055

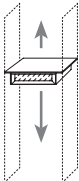
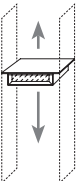


CORNER WARDROBES		Shelves for corner wardrobes with hinged doors			
		For walk-in corner (2-door), can only be used on the right side .	For walk-in corner (2-door), can only be used on the right side .	For fully usable corner wardrobe (1 door).	For fully usable corner wardrobe (1 door).
		1 shelf	3 shelves	1 shelf	3 shelves
		↔ 73 cm ↓ 2,2 cm ↗ 54 cm	↔ 73 cm ↓ 2,2 cm ↗ 54 cm	↔ 91 cm ↓ 2,2 cm ↗ 91 cm	↔ 91 cm ↓ 2,2 cm ↗ 91 cm
Article	Price £	9687	9688	9692	9693

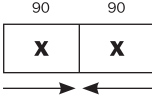
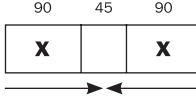
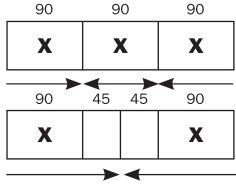
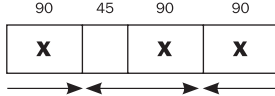
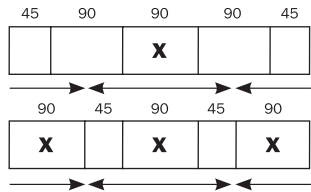
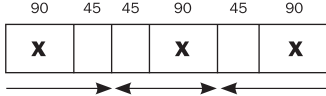
CORNER WARDROBES		Shelves for corner wardrobes with hinged doors			
		For walk-in corner (2-door), can only be used on the left side .	For walk-in corner (2-door), can only be used on the left side .	For walk-in corner (2-door), can only be used on the left side .	
		1 shelf	3 shelves	5 shelves	
		↔ 39 cm ↓ 2,2 cm ↗ 54 cm	↔ 39 cm ↓ 2,2 cm ↗ 54 cm	↔ 39 cm ↓ 2,2 cm ↗ 54 cm	
Article	Price £	9689	9690	9691	

EXTRAS		Hanging rails			
		45	75 For corner wardrobe, 2-door.	90	
		Hanging rail	Hanging rail	Hanging rail	
		↔ 43 cm ↓ 3 cm ↗ 2 cm	↔ 73 cm ↓ 3 cm ↗ 2 cm	↔ 88 cm ↓ 3 cm ↗ 2 cm	
Article	Price £	9715	9499	9719	



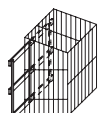
Interior colour	Colour no.
Dressline carbon colour	A0055

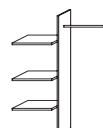
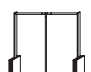

EXTRAS		Drawer units		
NOT for gliding door wardrobes with width 136 cm!	90	90	90	
				
	Drawer unit with 3 drawers	Drawer unit with glass front	Wire basket insert with 3 baskets	
	↔ 88 cm ↓ 60 cm ↗ 54 cm	↔ 88 cm ↓ 60 cm ↗ 54 cm	↔ 88 cm ↓ 60 cm ↗ 54 cm	
Article	Price £	9S25	9S36	9730

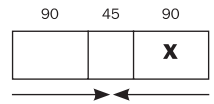
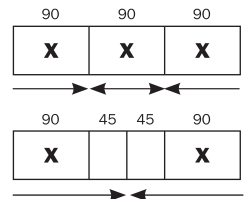
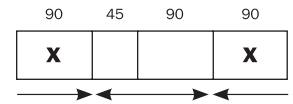
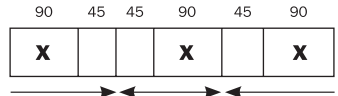
EXTRAS		Drawer units		
NOT for gliding door wardrobes with width 136 cm!	90	Height adjustable 	90	Height adjustable 
				
	Drawer unit with decorative front		Drawer unit with glass front	
	↔ 88 cm ↓ 23 cm ↗ 54 cm		↔ 88 cm ↓ 23 cm ↗ 54 cm	
Article	Price £	9S38	9S35	

GLIDING DOORS	Options for installing drawer units in gliding door robes.					
X = installation of Art. No. possible 9S25, 9730, 9S36, 9S35, 9S38						
Description	Gliding door wardrobe w 181 cm, 2-door	Gliding door wardrobe w 225 cm, 2-door	Gliding door wardrobe w 270 cm, 2- and 3-trg.	Gliding door wardrobe w 315 cm, 3-door	Gliding door wardrobe w 360 cm, 3-door	Gliding door wardrobe w 405 cm, 3-door


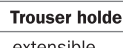
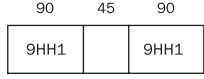
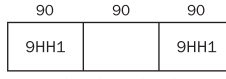
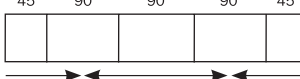
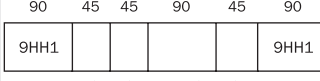
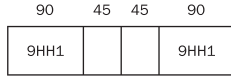
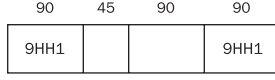
Interior colour	Colour no.
Dressline carbon colour	A0055

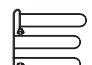
EXTRAS				
	Cannot be mounted on the side of the folding door stop. Maximum load per basket 11 kg.	Cannot be mounted on the side of the folding door stop. Maximum load per shoe rack 4 kg.	Max load 7 kg.	
				
	Side pull-out + 3 metal baskets	Side pull-out + 3 shoe racks	Laundry basket, including pull-out	
	Pull-out depth 42 cm ↔ 33 cm ↓ 62 cm ↗ 47 cm	Pull-out depth 42 cm ↔ 36 cm ↓ 62 cm ↗ 47 cm	Pull-out ↔ 36 cm ↓ 62 cm ↗ 47 cm	
Article	Price £	9AZ5	9AZ6	9WK1


EXTRAS				
	 90	 10kg 90/100	 For walk-in corner (2-door) or mounted on the inside of hinged doors.	
	Interior division	Clothes lift	Interior mirror	
	1/2-, 1/2 division ↔ 90 cm ↓ 148 cm ↗ 54 cm	↔ 88-98 cm ↓ 84 cm ↗ 14 cm	↔ 32 cm ↓ 151 cm ↗ 1 cm	
	Article	Price £	9E90	9314

GLIDING DOORS				
<p>X = installation of Art. No. 9314.</p> <p>Not available for wardrobes with „panorama-optic“, recessed center panel and folding door robes.</p>	 <p>Gliding door wardrobe w 225 cm, 2 doors</p>	 <p>Gliding door wardrobe w 270 cm, 2 and 3 doors</p>	 <p>Gliding door wardrobe w 315 cm, 3 doors</p>	 <p>Gliding door wardrobe w 405 cm, 3 doors</p>


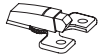

Interior colour	Colour no.
Dressline carbon colour	A0055

EXTRAS		Trousler rack		Options for installing trouser holder in gliding door robes.			
NOT for folding door wardrobes!		90		 Gliding door wardrobe w 225 cm, 2 door	 Gliding door wardrobe w 270 cm, 3 doors.	 Gliding door wardrobe w 360 cm, 3 door	 Gliding door wardrobe w 405 cm, 3 door
				 Gliding door wardrobe w 270 cm, 2 door	 Gliding door wardrobe w 315 cm, 3 doors		
				Trousler holder extensible ↔ 88 cm ↓ 4 cm ↗ 50 cm			
Article	Price £	9HH1					

EXTRAS					
		Can only be mounted into hinged door robes.	To be mounted on the inside of the end centre panel of hinged or gliding door robes.	To be mounted on the inside of the end centre panel of hinged or gliding door robes.	
		Tie rack, swivelling	Tie / belt rack	Tie / belt rack	
		↔ 31 cm ↓ 27 cm ↗ 5 cm	↔ 10 cm ↓ 13 cm ↗ 46 cm	↔ 9 cm ↓ 7 cm ↗ 45 cm	
Article	Price £	9768	990K	9GK1	

EXTRAS					
		To be mounted on the outside of the wardrobes-end panels.	To be mounted on the outside of the wardrobes-end panels.	To be mounted on the inside of the end centre panel of hinged or gliding door robes.	
		Coat hanger rail	Coat hanger rail	Hooks	
		↔ 27 cm ↓ 52 cm ↗ 2 cm	↔ 18 cm ↓ 27 cm ↗ 1 cm	↔ 34 cm ↓ 6 cm ↗ 3 cm	
Article	Price £	9767	990U	9HL1	

Interior colour	Colour no.
Dressline carbon colour	A0055

EXTRAS		Door damper for hinged and gliding doors			
					
		Hinged door dampers, set of 2	Hinged door dampers, set of 3		Gliding door dampers, set of 2
		One door damper needed per hinged door.	One door damper needed per hinged door.		One door damper set needed per gliding door front
		NOT possible with glass framed doors.	NOT possible with glass framed doors.		
Art.no.	Price £	9TE2	9TE3		990V

EXTRAS					
		Transmitter for LED-lights.			
					
		Radio hand dimmer with receiver			
		for controlling the lighting of LED lights			
		Cable length: 1 m			
Art.no.	Price £	99FB			

Interior colour	Colour no.
Dressline carbon colour	A0055

EXTRAS		Lighting options (external lighting)			
		LED lights (chrome) incl. transformer	LED lights (chrome) incl. transformer	LED lights (alu) incl. transformer	LED lights (alu) incl. transformer
		Set of 2	Set of 3	Set of 2	Set of 3
		↔ 32 cm ↓ 8 cm ↗ 15 cm	↔ 32 cm ↓ 8 cm ↗ 15 cm	↔ 31 cm ↓ 5 cm ↗ 16 cm	↔ 31 cm ↓ 5 cm ↗ 16 cm
Article	Price £	94L2	94L3	9L22	9L23

EXTRAS		Lighting options (external lighting)			
		LED lights (alu) incl. transformer	LED lights (alu) incl. transformer	LED lights (alu) incl. transformer	LED lights (alu) incl. transformer
		Set of 2	Set of 3	Set of 2	Set of 3
		↔ 10 cm ↓ 7 cm ↗ 25 cm	↔ 10 cm ↓ 7 cm ↗ 25 cm	↔ 39 cm ↓ 7 cm ↗ 17 cm	↔ 39 cm ↓ 7 cm ↗ 17 cm
Article	Price £	9L46	9L47	9L48	9L49

EXTRAS		For sets of 2 pieces:		For sets of 3 pieces:		For sets of 2 pieces, only art. 9L46:		For sets of 3 pieces, only art. 9L47:	
		This luminaire contains built-in LED lamps of the energy classes A++ - A*. The lamps cannot be replaced in the luminaire.		This luminaire contains built-in LED lamps of the energy classes A++ - A*. The lamps cannot be replaced in the luminaire.		This luminaire contains built-in LED lamps of the energy classes A++ - A*. The lamps cannot be replaced in the luminaire.		This luminaire contains built-in LED lamps of the energy classes A++ - A*. The lamps cannot be replaced in the luminaire.	
		*) on a scale from A++ (highest efficiency) to E (lowest efficiency).		*) on a scale from A++ (highest efficiency) to E (lowest efficiency).		*) on a scale from A++ (highest efficiency) to E (lowest efficiency).		*) on a scale from A++ (highest efficiency) to E (lowest efficiency).	