

BASIC EXTRAS

STEFFEN



Interior colour	Model no.
Oldenburg beech colour	Z3010
Structure grey	Z3011



Oldenburg
beech colour


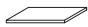

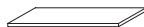
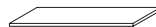
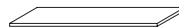
Structure grey










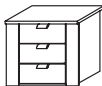
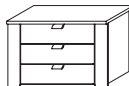
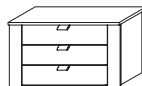
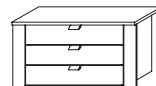
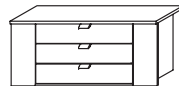
BASIC

Interior colour	Model no.	PG
Oldenburg beech colour	Z3010	1
Structure grey	Z3011	1



EXTRAS		Laundry shelves						
		50	60	80	90	100	120	
								
		Laundry shelf 50	Laundry shelf 60	Laundry shelf 80	Laundry shelf 90	Laundry shelf 100	Laundry shelf 120	
		↔ 48 cm ↓ 2,2 cm ↗ 50 cm	↔ 58 cm ↓ 2,2 cm ↗ 50 cm	↔ 78 cm ↓ 2,2 cm ↗ 50 cm	↔ 88 cm ↓ 2,2 cm ↗ 50 cm	↔ 98 cm ↓ 2,2 cm ↗ 50 cm	↔ 117 cm ↓ 2,2 cm ↗ 50 cm	
Article	PG	Price £	2055 1	2056 1	2057 1	2170 1	2058 1	2059 1
Sets of 3	PG	Price £	2155 1 (Set of 3)	2156 1 (Set of 3)	2157 1 (Set of 3)	2171 1 (Set of 3)	2158 1 (Set of 3)	2159 1 (Set of 3)

EXTRAS		Clothes rails						
		50	60	80	90	100	120	
								
		Clothes rail 50	Clothes rail 60	Clothes rail 80	Clothes rail 90	Clothes rail 100	Clothes rail 120	
		↔ 47 cm ↑ 3 cm ↗ 2 cm	↔ 57 cm ↑ 3 cm ↗ 2 cm	↔ 77 cm ↑ 3 cm ↗ 2 cm	↔ 87 cm ↑ 3 cm ↗ 2 cm	↔ 97 cm ↑ 3 cm ↗ 2 cm	↔ 116 cm ↑ 3 cm ↗ 2 cm	
Article	PG	Price £	2011 1	2012 1	2017 1	2172 1	2013 1	2014 1

EXTRAS		Drawer units						
		50	60	80	90	100	120	
								
		Drawer insert 50	Drawer insert 60	Drawer insert 80	Drawer insert 90	Drawer insert 100	Drawer insert 120	
		3 drawers	3 drawers	3 drawers	3 drawers	3 drawers	3 drawers	
		↔ 48 cm ↓ 53 cm ↗ 50 cm	↔ 58 cm ↓ 53 cm ↗ 50 cm	↔ 79 cm ↓ 53 cm ↗ 50 cm	↔ 88 cm ↓ 53 cm ↗ 50 cm	↔ 98 cm ↓ 53 cm ↗ 50 cm	↔ 117 cm ↓ 53 cm ↗ 50 cm	
Article	PG	Price £	2070 1	2071 1	2069 1	2173 1	2072 1	2073 1

Note: Inserts measuring 80/90/100 cannot be fitted in the middle unit of 3-door gliding door robes.

BASIC EXTRAS

STEFFEN



Interior colour	Model no.	PG
Oldenburg beech colour	Z3010	1
Structure grey	Z3011	1






EXTRAS		Box of drawers				
All drawers are fitted with under-frame rails and cushioned self-closing mechanism.	80	90	100	120	Suitable for all widths!	
	<p>Note: Inserts measuring 80/90/100 cannot be fitted in the middle unit of 3-door gliding door robes.</p>					
	Box of drawers 80	Box of drawers 90	Box of drawers 100	Box of drawers 120	Box of drawers, universal	
	3 drawers/3 shelves	3 drawers/3 shelves	3 drawers/3 shelves	3 drawers/3 shelves	3 drawers	
↔ 79 cm ↓ 94 cm ↗ 50 cm	↔ 88 cm ↓ 94 cm ↗ 50 cm	↔ 98 cm ↓ 94 cm ↗ 50 cm	↔ 117 cm ↓ 94 cm ↗ 50 cm	↔ 48 cm ↓ 54 cm ↗ 50 cm		
Article PG Price £	2078 1	2174 1	2079 1	2080 1	2074 1	

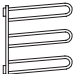

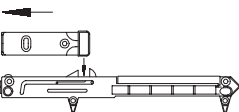
EXTRAS		Laundry divider			
	80	90	100	120	
	Laundry compartments 80	Laundry compartments 90	Laundry compartments 100	Laundry compartments 120	
	4 shelves/centre partition/1 clothes rail	4 shelves/centre partition/1 clothes rail	4 shelves/centre partition/1 clothes rail	4 shelves/centre partition/1 clothes rail	
	↔ 79 cm ↓ 156 cm ↗ 50 cm	↔ 88 cm ↓ 156 cm ↗ 50 cm	↔ 98 cm ↓ 156 cm ↗ 50 cm	↔ 117 cm ↓ 156 cm ↗ 50 cm	
Article PG Price £	2049 1	2175 1	2050 1	2051 1	





EXTRAS		Trouser pull-outs				Clothes lift
	80	90	100	120	80 100 120	
	<p>Note: Inserts measuring 80/90/100 cannot be fitted in the middle unit of 3-door gliding door robes.</p>					
	Pull-out trouser holder 80, (with 9 bars)	Pull-out trouser holder 90, (with 11 bars)	Pull-out trouser holder 100, (with 13 bars)	Pull-out trouser holder 120, (with 17 bars)	Clothes lift	
	with laundry shelf	with laundry shelf	with laundry shelf	with laundry shelf	Adjustable width for 80/100/120 units	
↔ 79 cm ↓ 11 cm ↗ 50 cm	↔ 88 cm ↓ 11 cm ↗ 50 cm	↔ 98 cm ↓ 11 cm ↗ 50 cm	↔ 117 cm ↓ 11 cm ↗ 50 cm	↔ 80-120 cm ↓ 120 cm ↗ 14 cm		
Article PG Price £	2082 1	2176 1	2083 1	2084 1	2120 1	

Interior colour	Model no.	PG
Oldenburg beech colour	Z3010	1
Structure grey	Z3011	1



EXTRAS			
	Suitable for all widths! 	Suitable for all widths! 	Suitable for all widths! 
	Interior mirror 1 part, for short/split hinged doors	Interior mirror 1 part, for full-length hinged doors	Interior mirror, 2 part 2 part, for hinged doors with inlay panel/horizontal handle
	↔ 28 cm ↓ 128 cm ↗ 1 cm	↔ 30 cm ↓ 160 cm ↗ 1 cm	↔ 30 cm ↓ 150 cm ↗ 1 cm
Article	PG	Price £	2117 1
			2118 1
			2119 1
			2001 1
			„BOY“ clothes hook, external Fastened to the outside of the wardrobe ↔ 27 cm ↓ 51 cm ↗ 7 cm

EXTRAS			
			
	Tie rack Fastened to the inside walls or door of the wardrobe	Pull-out trouser holder (with 3 bars) Fastened to the inside walls of the wardrobe	damper for plinth drawer Set for 1 drawer
	↔ 33 cm ↓ 33 cm ↗ 1 cm	↔ 33 cm ↓ 10 cm ↗ 33 cm	Set for 2 drawers
Article	PG	Price £	0003 1
			0007 1
			2201 1
			2200 1

EXTRAS			
Door dampers			
for gliding door robes			
	Door dampers set of 2, for 2-door gliding door robes	Outer door dampers set of 2, for 3- and 4-door gliding door robes	Middle door damper for 3-door gliding door robes only
	↔ 12 cm ↓ 4 cm ↗ 28 cm	↔ 12 cm ↓ 4 cm ↗ 28 cm	↔ 2 cm ↓ 2 cm ↗ 30 cm
Article	PG	Price £	2002 1
			2003 1
			2177 1
			2000 1
			Not suitable for 4-door gliding door robes! 
			Collision damper for gliding doors 1, for 2-door gliding door robes ↔ 6 cm ↓ 2 cm ↗ 11 cm

BASIC EXTRAS

STEFFEN



Interior colour	Model no.	PG
Oldenburg beech colour	Z3010	1
Structure grey	Z3011	1



EXTRAS												
for corner robes and bevelled elements	Not available for "Casante"!				To assemble only in conjunction with a laundry shelf!							
	Laundry shelf for bevelled elements, left or right ↔ 45 cm ↓ 2,2 cm ↗ 50 cm	Laundry shelf for 1-door corner robe 45° ↔ 98 cm ↓ 2,2 cm ↗ 50 cm	Laundry shelf for 2-door corner robe 90° ↔ 111 cm ↓ 2,2 cm ↗ 111 cm	Clothes rail, curved for 2-door corner robe 90° ↔ 85 cm ↓ 3 cm ↗ 85 cm	Utensil rack for 1-door corner robe 45° ↔ 34 cm ↓ 85 cm ↗ 13 cm							
Article	PG	Price £	2052	1	2053	1	2054	1	2018	1	0008	1

EXTRAS		Interior lighting												
	50		60		80		90		100		120			
Note: Luminaire sets measuring 80/90/100 cannot be fitted in the middle unit of 3-door gliding door robes.														
	Interior lighting for 50cm carcass units ↔ 48 cm ↓ 3 cm ↗ 2 cm	Interior lighting for 60cm carcass units ↔ 58 cm ↓ 3 cm ↗ 2 cm	Interior lighting for 80cm carcass units ↔ 79 cm ↓ 3 cm ↗ 2 cm	Interior lighting for 90cm carcass units ↔ 88 cm ↓ 3 cm ↗ 2 cm	Interior lighting for 100cm carcass units ↔ 98 cm ↓ 3 cm ↗ 2 cm	Interior lighting for 120cm carcass units ↔ 117 cm ↓ 3 cm ↗ 2 cm								
Article	PG	Price £	2060	1	2062	1	2063	1	2178	1	2061	1	2064	1

EXTRAS								
	Can be used as an intermediate switch (On/Off) for any electrical (lighting) appliance with European plug, up to max. 1000 W.							
	Radio hand transmitter with receiver for controlling the lighting ↔ 5 cm ↓ 3 cm ↗ 5 cm	Additional radio hand transmitter for controlling the lighting ↔ 5 cm ↓ 3 cm ↗ 5 cm	3-pin socket					
	Article	PG	Price £	2021	1	2022	1	2199

Interior lighting, art. 2060-2064

This luminaire contains built-in LED lamps of the energy classes A++ - A*
The lamps cannot be replaced in the luminaire.

*) on a scale from A++ (highest efficiency) to E (lowest efficiency)

Interior colour	Model no.	PG
Oldenburg beech colour	Z3010	1
Structure grey	Z3011	1



EXTRAS		Wardrobe lighting					
						Set of 2 lamps „STAR“, LED	Set of 3 lamps „STAR“, LED
						chrome coloured	chrome coloured
						2x ↔ 9 cm ↑ 5 cm ↗ 14 cm	3x ↔ 9 cm ↑ 5 cm ↗ 14 cm
Article	PG	Price £	2194	1	2195	1	

EXTRAS		Wardrobe lighting							
							Set of 1 lamp „CARREE“, LED	Set of 2 lamps „CARREE“, LED	Set of 3 lamps „CARREE“, LED
							aluminium coloured	aluminium coloured	aluminium coloured
							↔ 33 cm ↑ 4 cm ↗ 15 cm	2x ↔ 33 cm ↑ 4 cm ↗ 15 cm	3x ↔ 33 cm ↑ 4 cm ↗ 15 cm
Article	PG	Price £	2191	1	2192	1	2193	1	

EXTRAS		Interior lighting					
						Interior lighting, LED, w. motion sensor	Interior lighting art. 0067
						with rechargeable battery, incl. USB cabel	This luminaire contains built-in LED lamps of the energy classes A++ - A* The lamps cannot be replaced in the luminaire.
						↔ 10 cm ↑ 2 cm ↗ 10 cm	*) on a scale from A++ (highest efficiency) to E (lowest efficiency)
Article	PG	Price £	0067	1	Set of lamps art. 2191-2193	1	

BASIC EXTRAS

STEFFEN

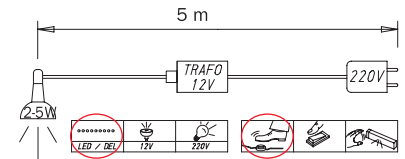


Interior colour	Model no.	PG
Oldenburg beech colour	Z3010	1
Structure grey	Z3011	1



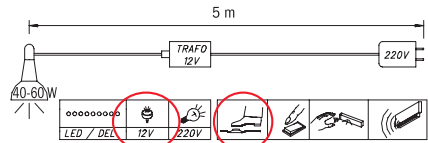
EXTRAS		Wardrobe lighting								
		Set of 1 lamp „LINEA 50“, LED	Set of 1 lamp „LINEA 100“, LED	Set of 1 lamp „LINEA 50“, LED	Set of 1 lamp „LINEA 100“, LED					
		chrome coloured, incl. transformer and foot switch	chrome coloured, incl. transformer and foot switch	aluminium coloured, incl. transformer and foot switch	aluminium coloured, incl. transformer and foot switch					
		↔ 50 cm ↑ 7 cm	↔ 100 cm ↑ 7 cm	↔ 50 cm ↑ 7 cm	↔ 100 cm ↑ 7 cm					
Article	PG	Price £	1266	1	1267	1	1264	1	1265	1

EXTRAS		Wardrobe lighting								
		Set of 1 lamp „LINEA 50“, LED	Set of 1 lamp „LINEA 100“, LED							
		black, incl. transformer and foot switch	black, incl. transformer and foot switch							
		↔ 50 cm ↑ 7 cm	↔ 100 cm ↑ 7 cm							
Article	PG	Price £	1262	1	1263	1				



This luminaire contains built-in LED lamps of the energy classes A++ - A*
The lamps cannot be replaced in the luminaire.
*) on a scale from A++ (highest efficiency) to E (lowest efficiency)

EXTRAS		Wardrobe lighting								
		Set of 2 lamps „Wave“	Set of 3 lamps „Wave“							
		incl. transformer and foot switch	incl. transformer and foot switch							
Article	PG	Price £	1274	1	1275	1				



This luminaire is compatible with bulbs of the energy classes B - E*
The luminaire is sold with a bulb of the energy class C.
*) on a scale from A++ (highest efficiency) to E (lowest efficiency)
weighted energy consumption 11 kWh/1000h

Interior colour	Model no.	PG
Oldenburg beech colour	Z3010	1
Structure grey	Z3011	1



EXTRAS		Wardrobe lighting				
					<p>This luminaire contains built-in LED lamps of the energy classes A++ - A* The lamps cannot be replaced in the luminaire.</p> <p>*) on a scale from A++ (highest efficiency) to E (lowest efficiency)</p>	
Article	PG	Price £	1268	1	1269	1

EXTRAS		Wardrobe lighting						
							<p>Set of 1 lamp „Turn“, LED incl. transformer and foot switch ↔ 30 cm ↑ 7 cm</p>	<p>Set of 2 lamps „Turn“, LED incl. transformer and foot switch ↔ 30 cm ↑ 7 cm</p>
Article	PG	Price £	1294	1	1295	1	1296	1

EXTRAS		Wardrobe lighting						
							<p>Set of 1 lamp „Turn“, LED incl. transformer and foot switch ↔ 30 cm ↑ 7 cm</p>	<p>Set of 2 lamps „Turn“, LED incl. transformer and foot switch ↔ 30 cm ↑ 7 cm</p>
Article	PG	Price £	1294	1	1295	1	1296	1

Set of lamps art. 1294-1296

This luminaire contains built-in LED lamps of the energy classes A++ - A*
The lamps cannot be replaced in the luminaire.

*) on a scale from A++ (highest efficiency) to E (lowest efficiency)

BASIC EXTRAS

STEFFEN



Interior colour	Model no.	PG
Oldenburg beech colour	Z3010	1
Structure grey	Z3011	1




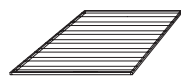
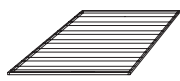
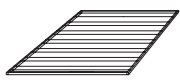
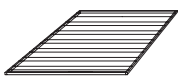
EXTRAS		Lighting for beds							
		<p>This luminaire contains built-in LED lamps of the energy classes A++ - A* The lamps cannot be replaced in the luminaire.</p> <p>*) on a scale from A++ (highest efficiency) to E (lowest efficiency)</p>			<p>This luminaire contains built-in LED lamps of the energy classes A++ - A* The lamps cannot be replaced in the luminaire.</p> <p>*) on a scale from A++ (highest efficiency) to E (lowest efficiency)</p>				
						<p>Set of 2 lamps „TURN“, LED</p> <p>Fastened to the bed headboard</p> <p>↔ 10 cm ↓ 10 cm ↗ 50 cm</p>		<p>Set of 2 lamps „CURVE“, LED</p> <p>Fastened to the bed headboard</p> <p>↔ 10 cm ↓ 10 cm ↗ 50 cm</p>	
						Article	PG	Price £	0053


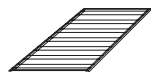

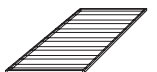

EXTRAS		Mattress supports				
<p>with fixed slat</p>	<p>2 mattress supports are required for beds in size 160 cm</p>	<p>2 mattress supports are required for beds in size 160 cm</p>	<p>2 mattress supports are required for beds in size 180 cm</p>	<p>2 mattress supports are required for beds in size 180 cm</p>		
	<p>Slatted frame (fixed slat)</p> <p>required for beds in size 80/190 and 160/190 cm</p> <p>↔ 79 cm ↓ 6 cm ↗ 186 cm</p>		<p>Slatted frame (fixed slat)</p> <p>required for beds in size 80/200 and 160/200 cm</p> <p>↔ 79 cm ↓ 6 cm ↗ 196 cm</p>		<p>Slatted frame (fixed slat)</p> <p>required for beds in size 90/190 and 180/190 cm</p> <p>↔ 89 cm ↓ 6 cm ↗ 186 cm</p>	
	Article	PG	Price £	1232	1	
			1233	1		
			1236	1		
			1237	1		


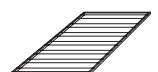
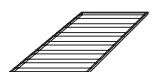
EXTRAS		Mattress supports			
<p>with fixed slat</p>	<p>2 mattress supports are required for beds in size 200 cm</p>	<p>2 mattress supports are required for beds in size 200 cm</p>			
	<p>Slatted frame (fixed slat)</p> <p>required for beds in size 100/190 and 200/190 cm</p> <p>↔ 99 cm ↓ 6 cm ↗ 186 cm</p>		<p>Slatted frame (fixed slat)</p> <p>required for beds in size 100/200 and 200/200 cm</p> <p>↔ 99 cm ↓ 6 cm ↗ 196 cm</p>		
	Article	PG	Price £	1240	1
			1241	1	

Interior colour	Model no.	PG
Oldenburg beech colour	Z3010	1
Structure grey	Z3011	1



EXTRAS		Mattress supports			
with fixed slat 					
					Slatted frame (fixed slat)
					required for beds in size 120/190 cm
					↔ 119 cm ↓ 6 cm ↗ 186 cm
Article	PG	Price £	1244	1	
Article	PG	Price £	1245	1	
Article	PG	Price £	1251	1	
Article	PG	Price £	1252	1	

EXTRAS		Mattress supports			
with flexible slat head and legs manually adjustable 	2 mattress supports are required for beds in size 160 cm	2 mattress supports are required for beds in size 160 cm	2 mattress supports are required for beds in size 180 cm	2 mattress supports are required for beds in size 180 cm	
					
					Slatted frame (flexible slat)
					required for beds in size 80/190 and 160/190 cm
↔ 79 cm ↓ 6 cm ↗ 186 cm					
Article	PG	Price £	1232	1	
Article	PG	Price £	1233	1	
Article	PG	Price £	1236	1	
Article	PG	Price £	1237	1	

EXTRAS		Mattress supports			
with flexible slat head and legs manually adjustable 	2 mattress supports are required for beds in size 200 cm	2 mattress supports are required for beds in size 200 cm			
					
			Slatted frame (flexible slat)		
			required for beds in size 100/190 and 200/190 cm		
↔ 99 cm ↓ 6 cm ↗ 186 cm					
Article	PG	Price £	1240	1	
Article	PG	Price £	1241	1	